

# LOCTITE

1001 Trout Brook Crossing  
Rocky Hill, CT 06067-3910  
Telephone: (860) 571-5100  
FAX: (860) 571-5465

## Product Description Sheet

### Hysol® 050-GAS Hot Melt Stick Applicator

Part # 98032

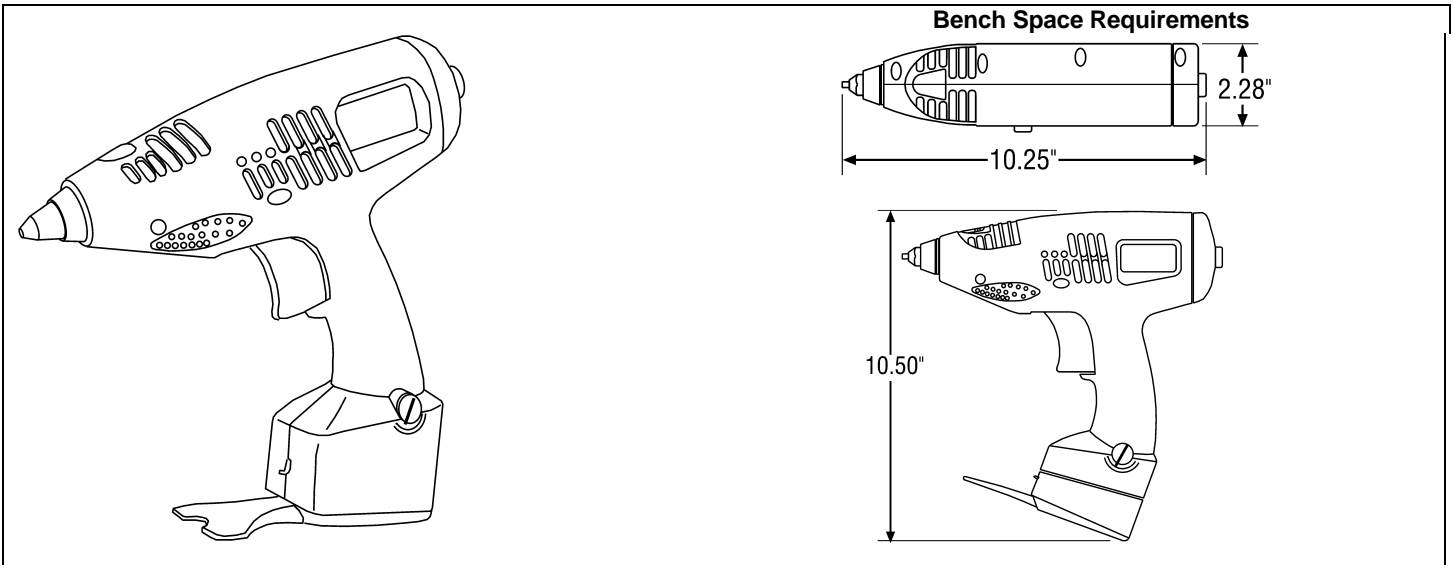
North American Equipment, August 2001

#### PRODUCT DESCRIPTION

Loctite® Hysol® 050-GAS Hot Melt Stick Applicator is a hand-held, butane gas operated, manual applicator. The applicator utilizes a finger-actuated trigger mechanism to positively grip and advance all 1/2" Loctite Hysol structural hot melt sticks. The unique design of this dispenser allows for portability to any applicator site.

#### PRODUCT FEATURES

- Fixed precision temperature setting: 380°F, (193°C)
- High output melt rate
- Gas On/Off switch
- Interchangeable nozzles
- Protective nozzle Cover
- Class 1 Insulation



#### Technical Data

- Melt rate output: Up to 3.0 lb./hr
- Adhesive stick: 1/2 inch diameter x 10 inches long
- Butane Power Source ( Standard cigarette lighter refills)
- Power: Equivalent to 225 Watts
- Weight: 1.7 pounds (770 grams)
- Piezo Electric Ignition System
- Catalytic Heater System

#### Hot Melt Stick Applicator P/N 98032 Includes:

- Instruction manual - P/N 985250
- Hysol 050-GAS Hot Melt Stick Applicator

#### Optional Nozzle Accessories

- Replacement standard nozzle, .06"DIA cone tip - P/N 985225
- 2-hole nozzle - P/N 985110
- 3-hole nozzle - P/N 985111
- Extension nozzle, .14"DIA x 1.23"LG - P/N 985112
- Needle extension nozzle, .05"DIA x 1.32"LG - P/N 985113
- Spreader extension nozzle, (.09".25"SQ) x 1.22"LG - P/N 985114
- "L" Nozzle (ideal for overlap carton sealing) - P/N 985115
- Replacement adapter/check-valve for nozzles - P/N 985088
- T-nozzle (ideal for center-flap carton sealing) - P/N 985116
- Tool Hanger/Balancer - P/N 985243
- Heavy-duty metal stand - P/N 985087

NOT FOR PRODUCT SPECIFICATIONS

PLEASE CONTACT LOCTITE CORPORATION FOR ASSISTANCE: 1- 800-LOCTITE (1-800-562-8483)

The data contained herein are furnished for information only and are believed to be reliable. We cannot assume responsibility for the results obtained by others over whose methods we have no control. It is the user's responsibility to determine suitability for the user's purpose of any production methods mentioned herein and to adopt such precautions as may be advisable for the protection of property and of persons against any hazards that may be involved in the handling and use thereof. In light of the foregoing, LOCTITE CORPORATION SPECIFICALLY DISCLAIMS ALL WARRANTIES EXPRESSED OR IMPLIED, INCLUDING WARRANTIES OF MERCHANTABILITY OR FITNESS FOR A PARTICULAR PURPOSE, ARISING FROM SALE OR USE OF LOCTITE CORPORATION'S PRODUCTS. LOCTITE CORPORATION SPECIFICALLY DISCLAIMS ANY LIABILITY FOR CONSEQUENTIAL OR INCIDENTAL DAMAGES OF ANY KIND, INCLUDING LOST PROFITS. The discussion herein of various processes or compositions is not to be interpreted as representation that they are free from domination of patents owned by others or as a license under any Loctite Corporation patents that may cover such processes or compositions. We recommend that each prospective user test his proposed application before repetitive use, using this data as a guide. This product may be covered by one or more United States or foreign patents or patent applications.

Loctite and Hysol are trademarks of Loctite Corp. U.S.A.



1001 Trout Brook Crossing  
Rocky Hill, CT 06067-3910  
Telephone: (860) 571-5100  
FAX: (860) 571-5465

## Product Description Sheet

Hysol® 050-GAS Hot Melt Stick Applicator

Part # 98032

North American Equipment, August 2001

**NOT FOR PRODUCT SPECIFICATIONS**

**PLEASE CONTACT LOCTITE CORPORATION FOR ASSISTANCE: 1-800-LOCTITE (1-800-562-8483)**

The data contained herein are furnished for information only and are believed to be reliable. We cannot assume responsibility for the results obtained by others over whose methods we have no control. It is the user's responsibility to determine suitability for the user's purpose of any production methods mentioned herein and to adopt such precautions as may be advisable for the protection of property and of persons against any hazards that may be involved in the handling and use thereof. In light of the foregoing, LOCTITE CORPORATION SPECIFICALLY DISCLAIMS ALL WARRANTIES EXPRESSED OR IMPLIED, INCLUDING WARRANTIES OF MERCHANTABILITY OR FITNESS FOR A PARTICULAR PURPOSE, ARISING FROM SALE OR USE OF LOCTITE CORPORATION'S PRODUCTS. LOCTITE CORPORATION SPECIFICALLY DISCLAIMS ANY LIABILITY FOR CONSEQUENTIAL OR INCIDENTAL DAMAGES OF ANY KIND, INCLUDING LOST PROFITS. The discussion herein of various processes or compositions is not to be interpreted as representation that they are free from domination of patents owned by others or as a license under any Loctite Corporation patents that may cover such processes or compositions. We recommend that each prospective user test his proposed application before repetitive use, using this data as a guide. This product may be covered by one or more United States or foreign patents or patent applications.

Loctite and Hysol are trademarks of Loctite Corp. U.S.A.