

LOCTITE

1001 Trout Brook Crossing
Rocky Hill, CT 06067-3910
Telephone: (860) 571-5100
FAX: (860) 571-5465

Product Description Sheet Hysol® 175-AIR-HT Hot Melt Applicator

Part # 98040

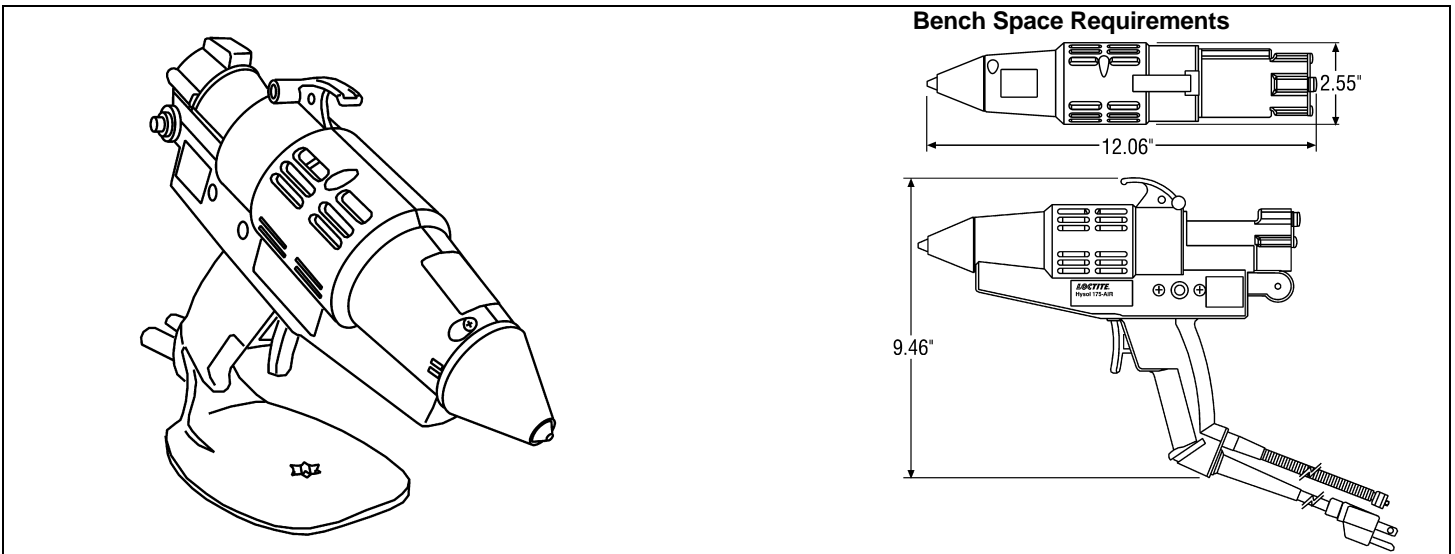
North American Equipment, August 2001

PRODUCT DESCRIPTION

Loctite® Hysol® 175-AIR-HT Hot Melt Applicator is a high output hand-held, pneumatic, hot melt adhesive applicator. The product is ergonomically designed to heat, melt and dispense all Loctite Hysol structural hot melt products. The 175-AIR-HT Applicator is designed for high volume, high production industrial environments.

PRODUCT FEATURES

- Designed for operator comfort and application control
- Low actuation force to reduce finger fatigue
- Electronic temperature control
- Fixed precision temperature Setting 215°C
- Heater: (2) 250 Watt Stainless Steel Cartridges
- Dispenses up to 8.8 pounds per hour
- 1 3/4" Polyshot Polyamide loading
- Weight 3.89 pounds



Technical Data

- Utilities: 120 VAC, 50/60 Hz,
- Air supply 45 psi minimum 100 psi maximum
- Heat-up time: 10 minutes
- Heater: (2) 250 Watt Stainless Steel Cartridge

Hot Melt Applicator P/N 98040 includes:

- Instruction manual - P/N 985067
- Hysol 175-AIR HT Hot Melt Cartridge Applicator
- Dispenser Stand - P/N 985069
- Valve Body Air Line Adapter - P/N 985240

Optional Accessories

- Replacement standard nozzle, .06" DIA cone tip - P/N 985225
- 2-hole nozzle - P/N 985110
- 3-hole nozzle - P/N 985111
- Extension nozzle, .14" DIA x 1.23" LG - P/N 985112
- Needle extension nozzle, .05" DIA x 1.32" LG - P/N 985113
- Spreader extension nozzle, (.09".25" SQ) x 1.22" LG - P/N 985114
- "L" Nozzle (ideal for overlap carton sealing) - P/N 985115
- Replacement adapter/check-valve for nozzles - P/N 985088
- T-nozzle (ideal for center-flap carton sealing) - P/N 985116
- Tool Hanger/Balancer - P/N 985243
- Heavy-duty metal stand - P/N 985087

NOT FOR PRODUCT SPECIFICATIONS
PLEASE CONTACT LOCTITE CORPORATION FOR ASSISTANCE: 1-800-LOCTITE (1-800-562-8483)

The data contained herein are furnished for information only and are believed to be reliable. We cannot assume responsibility for the results obtained by others over whose methods we have no control. It is the user's responsibility to determine suitability for the user's purpose of any production methods mentioned herein and to adopt such precautions as may be advisable for the protection of property and of persons against any hazards that may be involved in the handling and use thereof. In light of the foregoing, LOCTITE CORPORATION SPECIFICALLY DISCLAIMS ALL WARRANTIES EXPRESSED OR IMPLIED, INCLUDING WARRANTIES OF MERCHANTABILITY OR FITNESS FOR A PARTICULAR PURPOSE, ARISING FROM SALE OR USE OF LOCTITE CORPORATION'S PRODUCTS. LOCTITE CORPORATION SPECIFICALLY DISCLAIMS ANY LIABILITY FOR CONSEQUENTIAL OR INCIDENTAL DAMAGES OF ANY KIND, INCLUDING LOST PROFITS. The discussion herein of various processes or compositions is not to be interpreted as representation that they are free from domination of patents owned by others or as a license under any Loctite Corporation patents that may cover such processes or compositions. We recommend that each prospective user test his proposed application before repetitive use, using this data as a guide. This product may be covered by one or more United States or foreign patents or patent applications.

Loctite and Hysol are trademarks of Loctite Corp. U.S.A.