



1001 Trout Brook Crossing  
Rocky Hill, CT 06067-3910  
Telephone: (860) 571-5100  
FAX: (860) 571-5465

## Equipment Instruction Sheet Posi-Link™ 10-50 Solenoid Kit

Part # 911007  
North American Engineering Center, June 2006

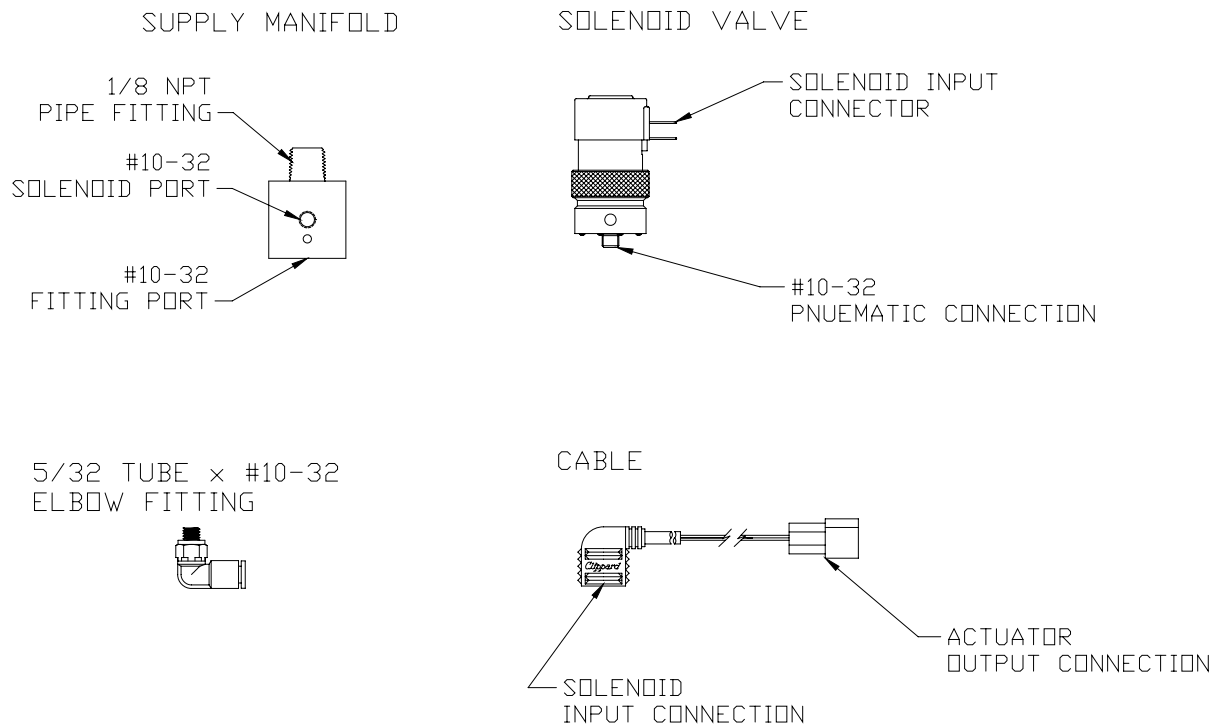
### Product Description

The Solenoid Kit 911007 is integrated with the Posi-Link™ actuator and operates the Loctite Pinch Valve 97141 as directed by the Posi-Link™ controller.

### Items Supplied

Qty	Description
1	Supply Manifold
1	Three-Way Valve
1	Connector Cable
1	Fitting Elbow, 5/32 Tube x #10-32

### Parts Description



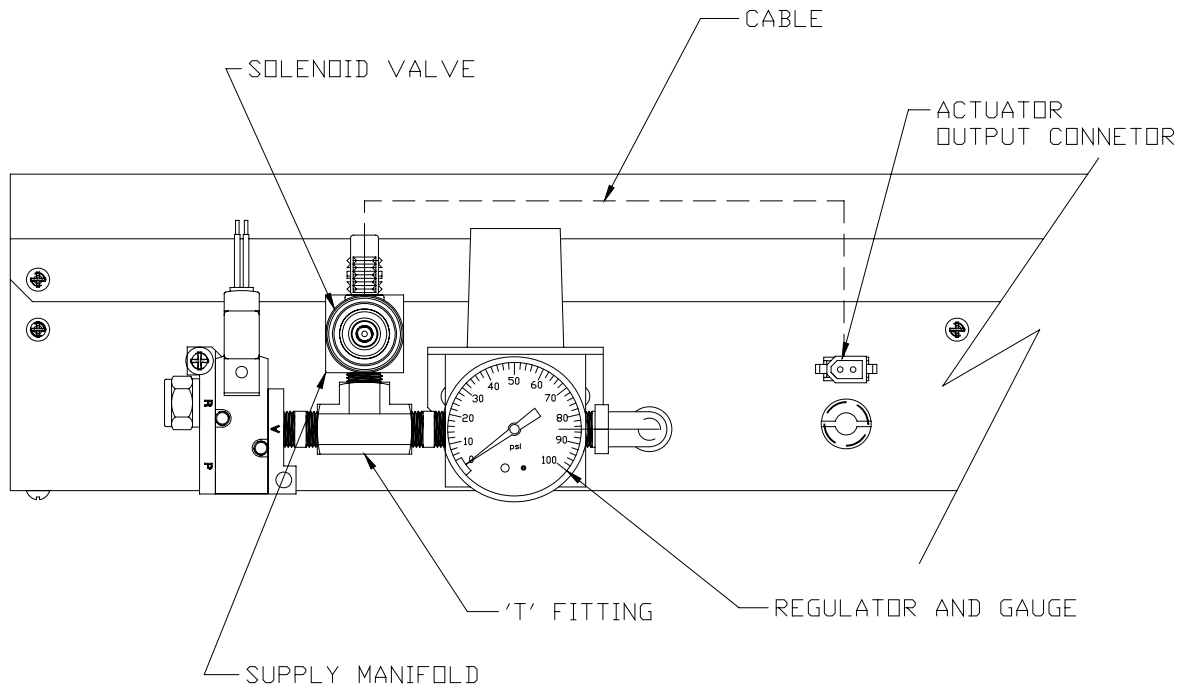
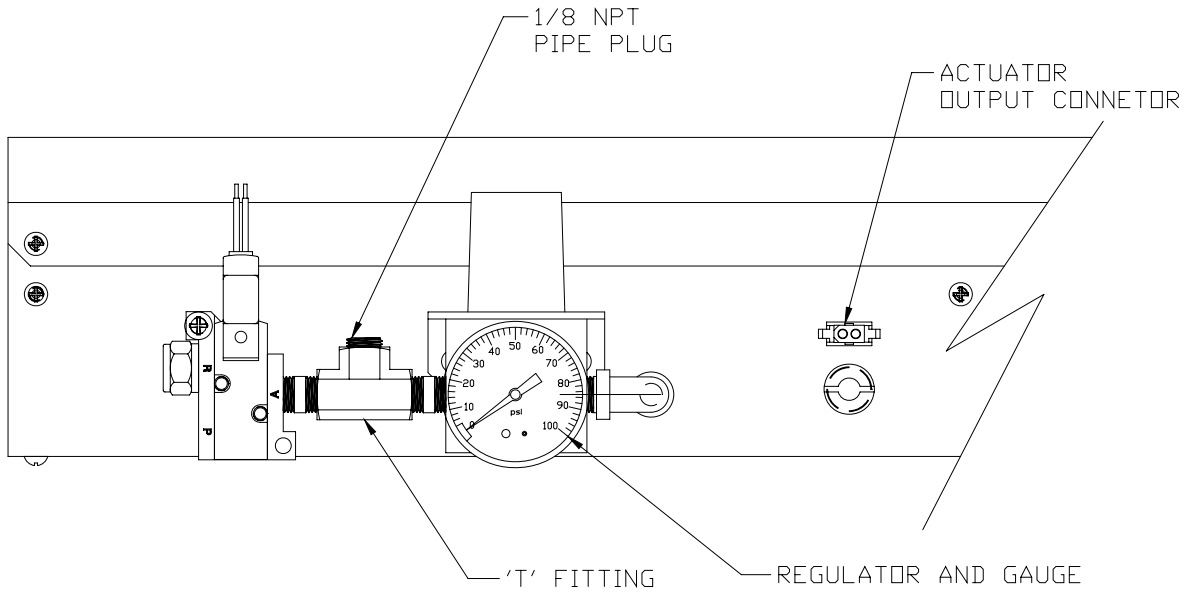
### Installation Procedure

1. Locate the Regulator assembly on side of Posi-Link™ actuator (see drawing)
2. Remove 1/8" NPT pipe plug from 'T' fitting.
3. Install supply manifold into 'T' fitting. Tighten fitting so that the #10-32 solenoid port faces away from the actuator enclosure.
4. Install solenoid valve to supply manifold.
5. Install elbow fitting to supply manifold.
6. Connect cable to solenoid and to actuator .



1001 Trout Brook Crossing  
Rocky Hill, CT 06067-3910  
Telephone: (860) 571-5100  
FAX: (860) 571-5465

Equipment Instruction Sheet  
**Posi-Link™ 10-50**  
**Solenoid Kit**  
Part # 98671  
North American Engineering Center, June 2006



PN 8900732

Loctite is a TM of Henkel Corporation, U.S.A. © Copyright 2006. Henkel Corporation. All rights reserved

