



One Henkel Way  
 Rocky Hill, CT 06067-3910  
 Telephone: (860) 571-5100  
 Fax: (860) 571-5465

## Product Description Sheet Bond-A-Matic® 3000 Dispensing System with Vari-Drop™ Applicator

Part # 982719 0-15 psi

Part # 982722 0-100 psi

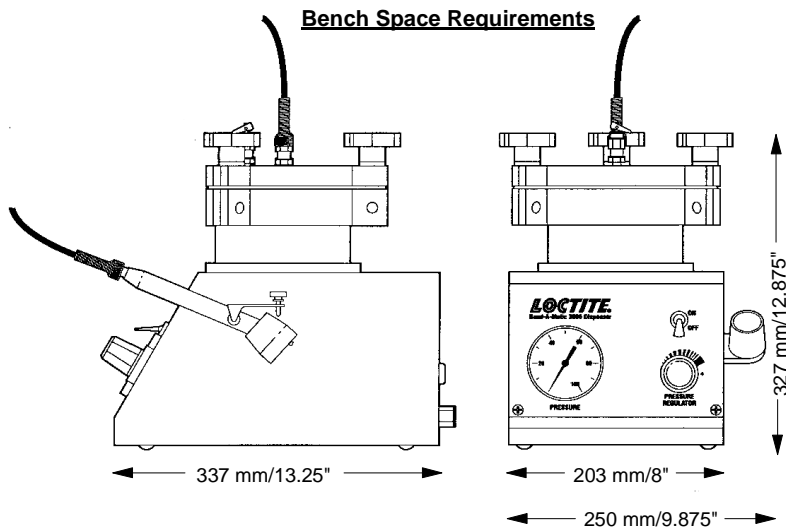
North American Engineering Center

### PRODUCT DESCRIPTION

The Loctite® Bond-A-Matic® Dispenser is a reliable, low cost pneumatic dispenser for single component adhesives. The system arrives ready to dispense, complete with a Vari-Drop™ applicator, feed line and a selection of dispense needles. The Bond-A-Matic® Dispenser can accommodate 250 ml, one pound, one liter and two kilogram bottles as well as 200 gram squeeze tubes. It is available in 2 pressure ranges. Part number 982719 is a 0 to 15 psi system for low viscosity adhesives under 3,000 cPs. Part number 982722 is a 0 to 100 psi system for adhesives over 3,000 cPs.

### PRODUCT FEATURES

• Large Reservoir	Accommodates all Loctite® bottles up to 10 inches tall and 5 inches round and 200 gram tubes.
• Vari-Drop Applicator	Improves dispensing control, eliminates waste and reduces operator fatigue.
• Black Teflon® - lined Feed line	Provides light and moisture barrier to ensure no-clog dispensing of light sensitive acrylics and moisture sensitive instant adhesives.
• Dispensing Needle Assortment	Select the needle to deliver the bead or dot size needed for your application.
• Applicator Valve Holder	Maintains cleanliness of work area.
• Easy to Read Pressure Gauge	Ensures consistent adhesive application.
• Adjustable Pressure Regulator	Precision control of the adhesive dispensed eliminates waste and lower adhesive cost.



**NOT FOR PRODUCT SPECIFICATIONS**

Loctite is a TM of Henkel Corporation, U.S.A. © Copyright 2009. Henkel Corporation. All rights reserved  
 Document # 8903454, Date: 05/18/2012





One Henkel Way  
Rocky Hill, CT 06067-3910  
Telephone: (860) 571-5100  
Fax: (860) 571-5465

## Product Description Sheet Bond-A-Matic® 3000 Dispensing System with Vari-Drop™ Applicator

Part # 982719 0-15 psi

Part # 982722 0-100 psi

North American Engineering Center

### Theory of Operation

The operator places a bottle of product directly in the reservoir and tightens the three handles on the cover. The unit is then pressurized to the appropriate setting for optimal flow control. The product is dispensed through a hand-held Loctite® Vari-Drop™ applicator which when depressed, allows material to flow. When the finger switch is fully depressed, maximum flow will be achieved. By adjusting the flow screw on the finger switch, a consistent flow can be set for repeatable dispensing.

### Technical Data

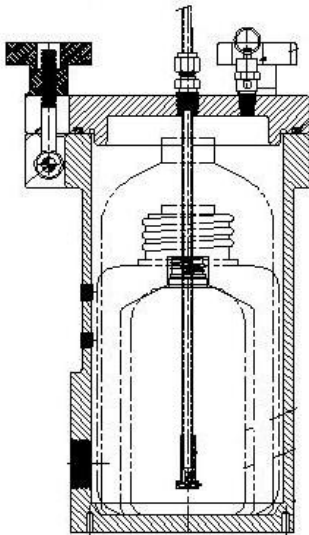
- Weight: 18 pounds
- Dimensions: 13.2" H x 9.9" W x 13.37" D

### The Bond-A-Matic® Dispensing System includes:

- Loctite® Bond-A-Matic® Reservoir with 1/4 inch tank fitting
- Vari-Drop™ applicator
- Teflon-lined black feedline, 1/4 inch O.D.; 7' long
- Spring strain reliefs (2)
- Anti-bubbler tip and sleeve
- Needle assortment kit
- Tube of silicone grease
- Instruction Manual

### Optional and Replacement Parts (not included):

- Vari-Drop™ applicator; P/N [97132](#)
- Vari-Drop™ repair kit; P/N [97249](#)
- Reservoir O-ring; P/N [981880](#)
- 200 gram gel tube kit; P/N [982450](#)
- Optional Hand-held manual applicator valve; P/N [97111](#)
- Replacement 1/4" inch black feedline; 33 feet; P/N [97972](#)
- Pressure gauge; 0-15 psi; P/N 982711
- Pressure gauge; 0-100 psi; P/N 982712
- Pressure regulator; 0-15 psi; P/N 982713
- Pressure gauge; 0-100 psi; P/N 982714
- Pressure safety relief valve; P/N 992641
- Reservoir Liner (fits inside); P/N [994480](#)
- Anti-bubbler Kit prevents air in feedline; P/N [984687](#)



BOTTLES, SIMULATED  
2 KILO, 1 LITER, 1 LB., 250 ML



Vari-Drop™ applicator

**NOT FOR PRODUCT SPECIFICATIONS**

Loctite is a TM of Henkel Corporation, U.S.A. © Copyright 2009. Henkel Corporation. All rights reserved  
Document # 8903454, Date: 05/18/2012

