



One Henkel Way  
 Rocky Hill, CT 06067-3910  
 Telephone: (860) 571-5100  
 Fax: (860) 571-5465

## Product Description Sheet Bond-A-Matic® 3000 Reservoir With DC Low Level Sensor

Part # 982720 0-15 psi

Part # 982723 0-100 psi

North American Engineering Center

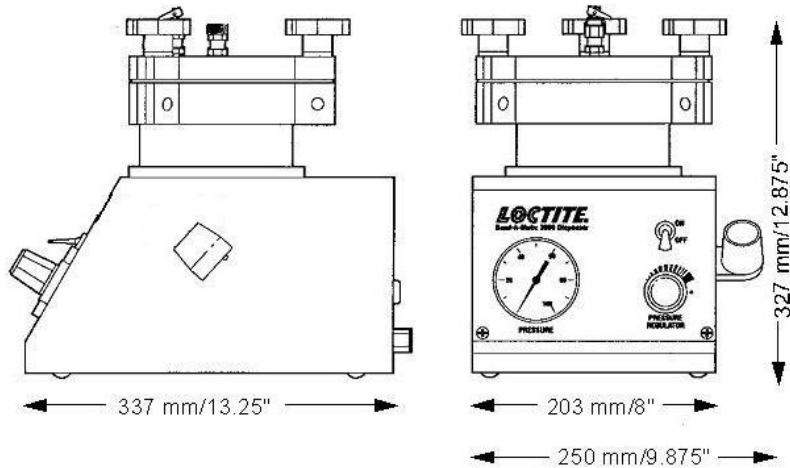
### PRODUCT DESCRIPTION

The Loctite® Bond-A-Matic® Reservoir is a versatile and popular unit that can be used in a wide array of dispensing applications. These units are available in 2 dispensing pressure ranges for a wide range of product viscosities. The Bond-A-Matic® Reservoir can accommodate 250 ml, one pound, one liter and two kilogram bottles as well as 200 gram squeeze tubes. Part number 982720 is a 0 to 15 psi system for low viscosity adhesives under 3,000 cPs. Part number 982723 is a 0 to 100 psi system for adhesives over 3,000 cPs. These Reservoirs are equipped with a DC low level sensor that sends an electronic signal to a Loctite® brand controller (item # [97101](#), [97123](#), or [1022006](#)) - sold separately and are typically integrated into a dispensing system that consists of a [Dispensing Valve](#) and one of these controllers.

### PRODUCT FEATURES

• Large Reservoir	Accommodates all Loctite® bottles up to 10 inches tall and 5 inches round and 200 gram tubes.
• Black Teflon®- lined Feed line	Provides light and moisture barrier to ensure no-clog dispensing of light sensitive acrylics and moisture sensitive instant adhesives.
• Easy to Read Pressure Gauge	Ensures consistent adhesive application.
• Adjustable Pressure Regulator	Precision control of the adhesive dispensed eliminates waste and lower adhesive cost.

### Bench Space Requirements





One Henkel Way  
 Rocky Hill, CT 06067-3910  
 Telephone: (860) 571-5100  
 Fax: (860) 571-5465

## Product Description Sheet Bond-A-Matic® 3000 Reservoir With DC Low Level Sensor

Part # 982720 0-15 psi

Part # 982723 0-100 psi

North American Engineering Center

### Theory of Operation

The operator places a bottle of product directly in the reservoir and tightens the three handles on the cover. The unit is then pressurized to the appropriate setting for optimal flow control. The product is dispensed through an applicator which when actuated, allows material to flow. Flow rate of the product is dependent on the valve selected, reservoir pressure, product viscosity, and needle size.

### Technical Data

- Weight: 18 pounds
- Dimensions: 13.2" H x 9.9" W x 13.37" D

### Bond-A-Matic® Reservoir includes:

- Loctite® Bond-A-Matic® Reservoir with 1/4 inch tank fitting
- Teflon-lined black feedline, 1/4 inch O.D.; 6' long
- Spring strain reliefs (2)
- Needle assortment kit
- Tube of silicone grease
- Instruction Manual

### Optional and Replacement Parts (not included):

- Reservoir O-ring for tank lid; P/N [981880](#)
- Replacement 1/4" inch black feed line; 33 feet; P/N [97972](#)
- Pressure gauge; 0-15 psi; P/N 982711
- Pressure gauge; 0-100 psi; P/N 982712
- Pressure regulator; 0-15 psi; P/N 982713
- Pressure gauge; 0-100 psi; P/N 982714
- Pressure safety relief valve; P/N 992641
- Reservoir Liner (fits inside); P/N [994480](#)
- Anti-bubbler Kit prevents air in feedline; P/N [984687](#)

