



1001 Trout Brook Crossing
Rocky Hill, CT 06067-3910
Telephone: (860) 571-5100
FAX: (860) 571-5465

Equipment Instruction Sheet Posi-Link™ 10-50 Solenoid Kit Part # 98671 North American Engineering Center

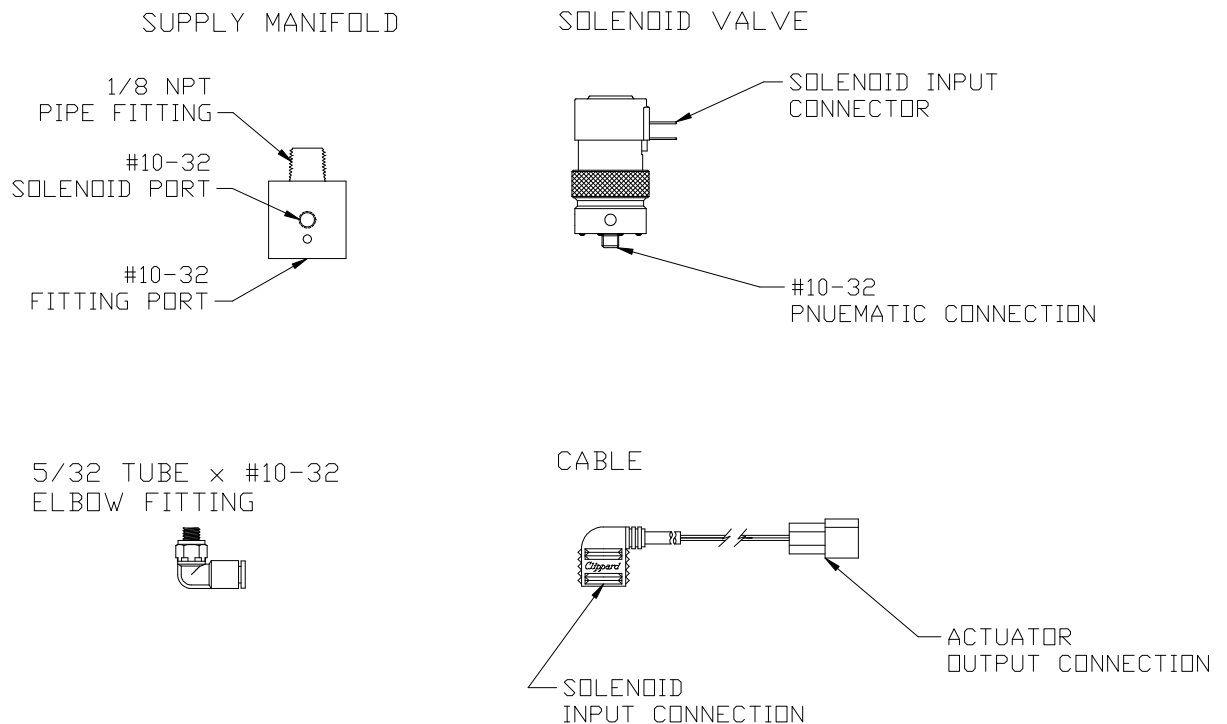
Product Description

The Solenoid Kit 98671 is integrated with the Posi-Link™ actuator and operates the Loctite Pinch Valve 97141 as directed by the Posi-Link™ controller.

Items Supplied

Qty	Description
1	Supply Manifold
1	Three-Way Valve
1	Connector Cable
1	Fitting Elbow, 5/32 Tube x #10-32

Parts Description



Installation Procedure

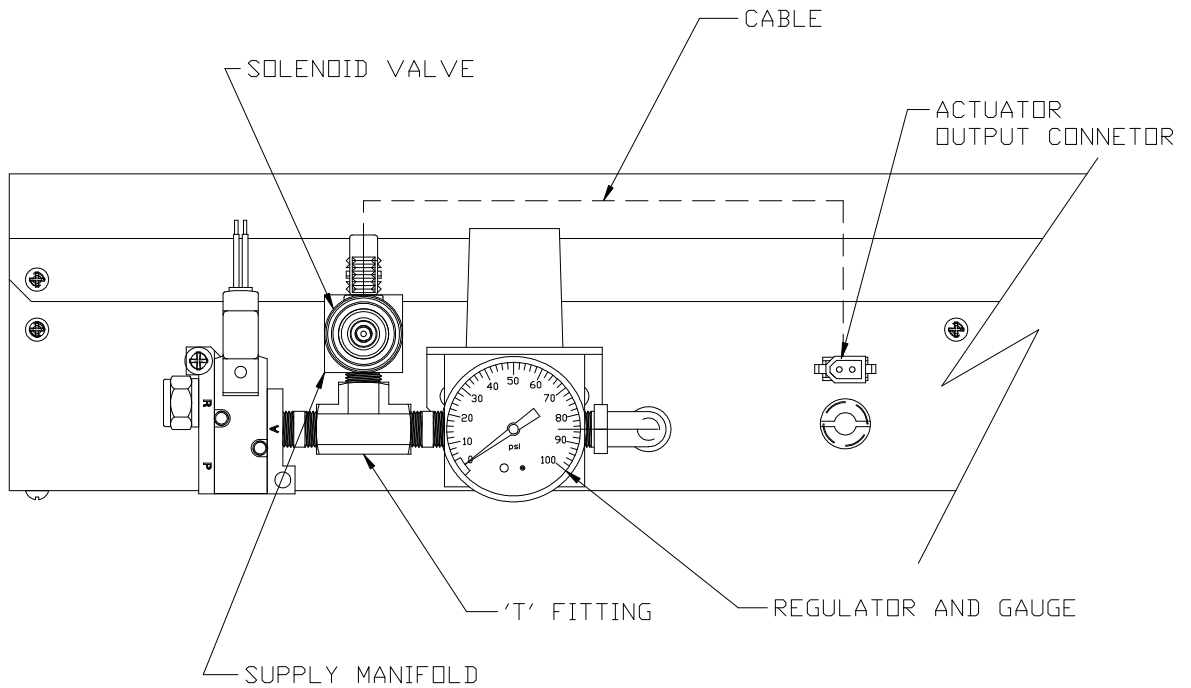
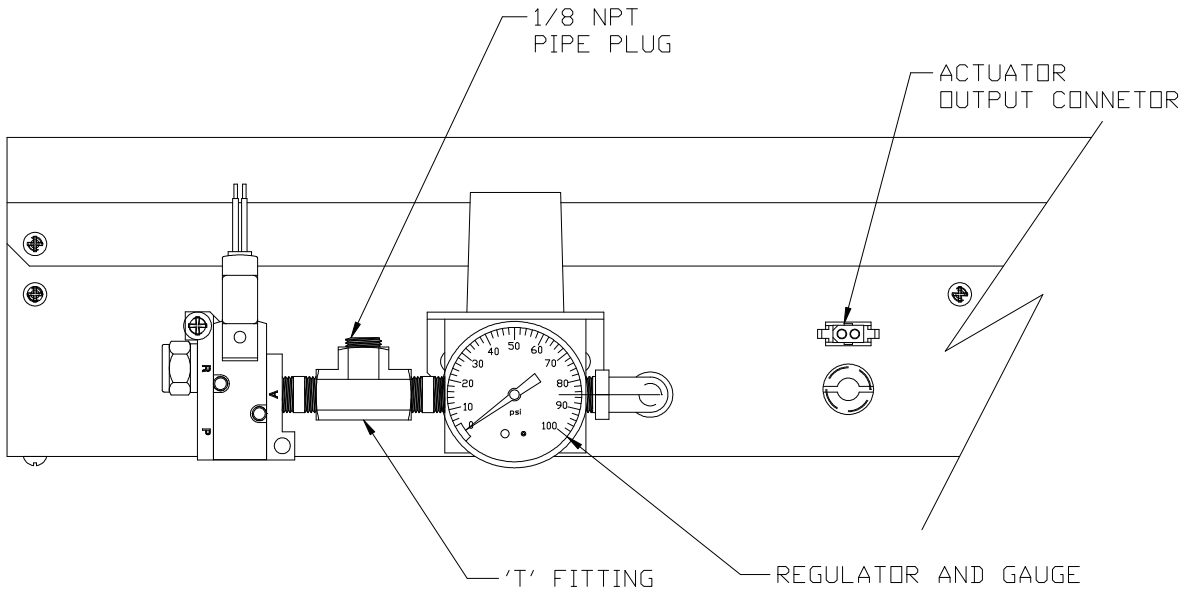
1. Locate the Regulator assembly on side of Posi-Link™ actuator (see drawing)
2. Remove 1/8" NPT pipe plug from 'T' fitting.
3. Install supply manifold into 'T' fitting. Tighten fitting so that the #10-32 solenoid port faces away from the actuator enclosure.
4. Install solenoid valve to supply manifold.
5. Install elbow fitting to supply manifold.
6. Connect cable to solenoid and to actuator .

PN 8900732



1001 Trout Brook Crossing
Rocky Hill, CT 06067-3910
Telephone: (860) 571-5100
FAX: (860) 571-5465

Equipment Instruction Sheet
Posi-Link™ 10-50
Solenoid Kit
Part # 98671
North American Engineering Center



PN 8900732

