

LOCTITE

One Henkel Way
Rocky Hill, CT 06067-3910
Telephone: (860) 571-5100
FAX: (860) 571-5465

Product Description Sheet

Shot Miser™ 1-Liter Reservoir

Part # 98090

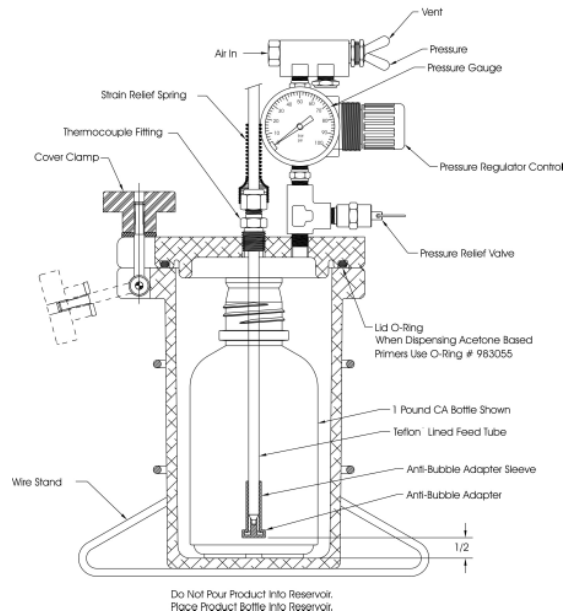
North American Equipment

PRODUCT DESCRIPTION

This low cost Loctite® Shot Miser™ reservoir is designed for all single component products with viscosities ranging from 1 to 80,000 cPs. The reservoir will accept 50 ml, 250 ml, 500ml, and 1 pound product bottles. The operating manual and all controls are in both English and Spanish.

PRODUCT FEATURES

- 1-liter internal capacity reservoir, directly accepts product bottles listed above.
- 0-100 psi adjustable pressure regulator.
- Easy to read pressure gauge (units in psi and bar).
- Pressure/Vent valve and hand-tight knobs for easy, no-tool bottle changeover.
- Removable reservoir stand allows for smallest possible footprint, ideally suited for saving space and integration into other workstation equipment.
- Tank fitting for 1/4" diameter product feedtube.



Technical Data

- Pneumatic Supply: 100 PSI maximum
- Dimensions: 8.5" W x 8.5" D x 13.25" H
- Weight: 8.5 lbs.

Recommended Spare Parts (not included)

- Lid gasket, material: viton, P/N 997312
- Pressure regulator, P/N 98129

Items Included

- Anti-Bubbler Adapter
- Anti-Bubbler Sleeve
- Spring Guard
- Product Supply Tube / 6 feet
- Operation Manual

NOT FOR PRODUCT SPECIFICATIONS

PLEASE CONTACT LOCTITE CORPORATION FOR ASSISTANCE: 1- 800-LOCTITE (1-800-562-9483)

The data contained herein are furnished for information only and are believed to be reliable. We cannot assume responsibility for the results obtained by others over whose methods we have no control. It is the user's responsibility to determine suitability for the user's purpose of any production methods mentioned herein and to adopt such precautions as may be advisable for the protection of property and of persons against any hazards that may be involved in the handling and use thereof. In light of the foregoing, LOCTITE CORPORATION SPECIFICALLY DISCLAIMS ALL WARRANTIES EXPRESSED OR IMPLIED, INCLUDING WARRANTIES OF MERCHANTABILITY OR FITNESS FOR A PARTICULAR PURPOSE, ARISING FROM SALE OR USE OF LOCTITE CORPORATION'S PRODUCTS. LOCTITE CORPORATION SPECIFICALLY DISCLAIMS ANY LIABILITY FOR CONSEQUENTIAL OR INCIDENTAL DAMAGES OF ANY KIND, INCLUDING LOST PROFITS. The discussion herein of various processes or compositions is not to be interpreted as representation that they are free from domination of patents owned by others or as a license under any Loctite Corporation patents that may cover such processes or compositions. We recommend that each prospective user test his proposed application before repetitive use, using this data as a guide. This product may be covered by one or more United States or foreign patents or patent applications.