



Product Description Sheet Hot Melt Cartridge Dispenser Item No. 98011

PRODUCT DESCRIPTION

Loctite® Hot Melt Cartridge Dispenser is a hand-held, electro-pneumatic 300 ml dispenser. The product is ergonomically designed to heat, melt and dispense all Loctite® Proform™ Reactive Urethane 300 ml products. The Loctite® Hot Melt Cartridge Dispenser is designed for high volume, high production industrial environments.

PRODUCT FEATURES

- Light weight, well balanced and ergonomically designed for operator comfort and application control
- Low actuation force to reduce finger fatigue
- Electronic temperature control
- Rugged molded thermoset plastic housing for “cool to the touch” operation up to 250°F (121°C)
- Fixed precision temperature: 250°F (121°C)
- Single cartridge loading
- Direct nozzle cartridge mounting for quick cartridge changeover
- Various nozzles for different dispense patterns
- Optional stationary stand (P/N 984281) and foot switch (P/N 984280)

Technical Data

- Utilities: 120 VAC, 50/60 Hz, single phase, 80 PSIG (5.6 kg/cm²) air, filtered to 40 micron
- Heat-up time: 7 to 10 minutes
- Power: 400 Watts
- Weight: 3 pounds (1,400 grams)
- Tank capacity: 300 ml aluminum cartridge

Hot Melt Cartridge Dispenser includes:

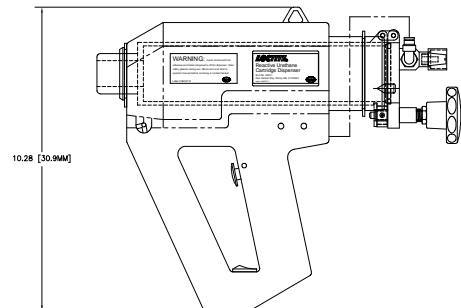
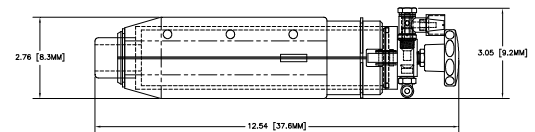
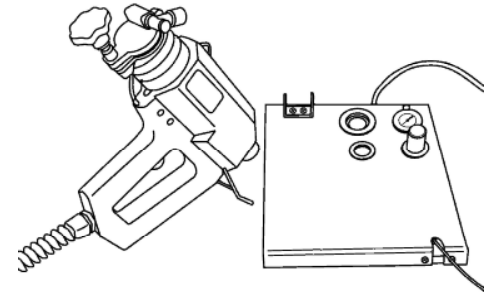
- Instruction manual - P/N 984248
- Fixed temperature Cartridge Dispenser - P/N 984254
- Base with regulator and gauge - P/N 984245
- 300 cc cartridge adapter (2) - P/N 984261
- Nozzle with cap (5) - P/N 984262
- Heat resistant gloves (1 pair) - P/N 984246
- Cartridge piercing tool - P/N 984253
- Tubing assembly - P/N 984244
- Wire Stand - P/N 984247

Note
The data contained herein are furnished for information only and are believed to be reliable. We cannot assume responsibility for the results obtained by others over whose methods we have no control. It is the user's responsibility to determine suitability for the user's purpose of any production methods mentioned herein and to adopt such precautions as may be advisable for the protection of property and of persons against any hazards that may be involved in the handling and use thereof. In light of the foregoing, Henkel Corporation specifically disclaims all warranties expressed or implied, including warranties of merchantability or fitness for a particular purpose, arising from sale or use of Henkel Corporation's products. Henkel Corporation specifically disclaims any liability for consequential or incidental damages of any kind, including lost profits. The discussion herein of various processes or compositions is not to be interpreted as representation that they are free from domination of patents owned by others or as a license under any Henkel Corporation patents that may cover such processes or compositions. We recommend that each prospective user test his proposed application before repetitive use, using this data as a guide. This product may be covered by one or more United States or foreign patents or patent applications.

Trademark usage

Except as otherwise noted, all trademarks in this document are trademarks of Henkel Corporation in the U.S. and elsewhere. © denotes a trademark registered in the U.S. Patent and Trademark Office.

Document # 8903712, Date: 03/08/2013



Henkel Americas
1-800-LOCTITE
www.equipment.loctite.com

Henkel Europe
+49.89.320800.1800
www.henkel.com/industrial

Henkel Asia Pacific
+86.21.2891.8863
www.henkel.com/industrial