



Product Description Sheet 1850212 EQ VA30 Jet Valve & 1850211 EQ VA30 Jet Controller

PRODUCT DESCRIPTION

The VA30 Jet Valve is designed for fluid dispensing in the electronics, industrial, semiconductor and life science markets. It is unlike any other jet on the market because only our jet dispensing product employs a unique diaphragm technology. Hard to dispense fluids can be dispensed reliably in volumes as small as 10 nanoliters. The VA30 Jet Valve is extremely fast and can dispense on-the-fly. It can apply multiple drops-per-location at a speed up to 300 drops/sec. The drops can be dispensed into areas with clearance as small as 300µm without contamination of the surface. The VA30 Jet Valve is suited for dispensing a wide range of fluids for a variety of applications. To ensure best product compatibility the fluid path is made from ceramic and stainless steel and the diaphragm is made of a highly fluorinated elastomeric material.



PRODUCT FEATURES

- Up to 300 drops/sec
- Drops as small as 0.01 µl
- No fluid seals to clean or replace
- Valve is field repairable, not necessary to return to factory for rebuild or repair
- Integral heater with minimal fluid heated
- Tungsten carbide or ceramic internal components for long life

TECHNICAL DATA

- Weight of valve: 350 g (0.77lb)
- Speed: Up to 300 Hz Continuous Duty
- Optional nozzle Sizes: 75 µm, 125 µm, 200 µm
- Nozzle Heater: Heating up to 75° C
- Fluid Pressure: 3.0 bar / 44 psi max.
- Jet Pressure: 2.4 bar / 35 psi min., 4.5 bar / 65 psi max.
- Noise pressure level: < 80 dB (A)
- Controller Interface: LCD display with keypad / RS232
- Input / output signals: TTL level triggers
- Operation Temperature: 15° to 30° C

PURCHASE PACKAGES

EQ VA30 Jet Valve (IDH 1850212)

- (1) EQ VA30 Jet Valve
- (1) Diaphragm (FFKM black)
- (5) O-Rings
- (1) Syringe air connector for 30 or 50 cc
- (1) 1.5 m Air connection tube 6mm diam.
- (5) feed tubes (black)
- (1) adapter ring for 10 cc syringes

PURCHASE PACKAGES

EQ VA30 Jet Controller (IDH 1850211)

- (1) EQ VA30 Jet Controller
- (1) Power cable
- (1) Valve connection cable (15 pin Sub-D)
- (1) Robot connection cable (26 pin Sub-D)
- (1) 2 m Air connection tube 6mm diam.
- (1) Operating manual

Order separately: Nozzle type

- 75µm Nozzle plate (IDH 1872279) or
- 125µm Nozzle plate (IDH 1871880) or
- 200µm Nozzle plate (IDH 1871874)



Henkel Americas
1-800-LOCTITE
www.equipment.loctite.com

Henkel Europe
+49.89.320800.1800
www.henkel.com/industrial

Henkel Asia Pacific
+86.21.2891.8863
www.henkel.com/industrial



Product Description Sheet 1850212 EQ VA30 Jet Valve & 1850211 EQ VA30 Jet Controller

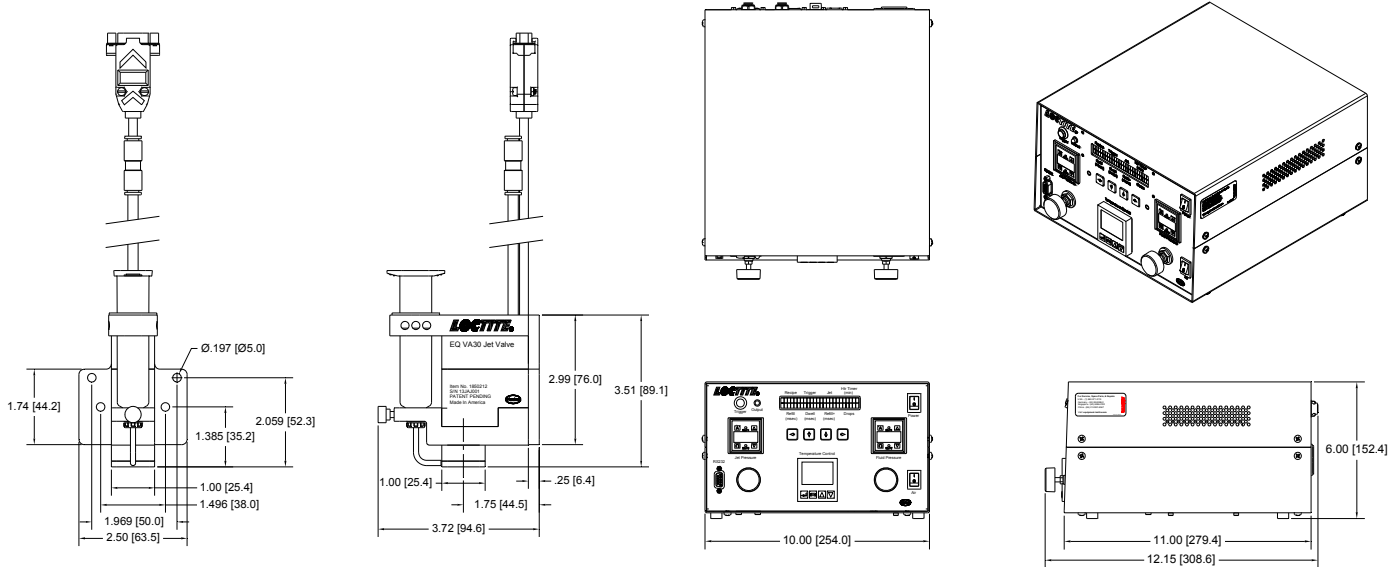
SPARE PARTS AND ACCESSORIES

- | | | | |
|-------------------------------------|-------------|----------------------------------|-------------|
| • Diaphragm FFKM (5 pack) | IDH 1871875 | • Cleaning Kit for 125 µm nozzle | IDH 1871878 |
| • O-Ring (10 pack) | IDH 1872538 | • Cleaning Kit for 200 µm nozzle | IDH 1871877 |
| • Feed Tubes black (50 pack) | IDH 1871876 | • Air Cylinder Repair Kit | IDH 1874364 |
| • Cleaning Kit for 75 µm nozzle | IDH 1871879 | • Heater Repair Kit | IDH 1874363 |
| • Syringe Air Line Adapter (2 pack) | IDH 88678 | | |

APPLICATION DATA

- Compatible Adhesives: Loctite® Light Cure-Acrylates, Activators, Primers
Henkel recommends testing of all materials to confirm application performance requirements
- Compatible Packaging: 10 / 30 / 50 ml syringe
- Application: Contactless, fast dispensing of drops and beads
- System Integration: Designed for robotic applications

SPACE REQUIREMENTS



EQ VA30 Jet Valve

EQ VA30 Jet Controller

Note
The data contained herein are furnished for information only and are believed to be reliable. We cannot assume responsibility for the results obtained by others over whose methods we have no control. It is the user's responsibility to determine suitability for the user's purpose of any production methods mentioned herein and to adopt such precautions as may be advisable for the protection of property and of persons against any hazards that may be involved in the handling and use thereof. In light of the foregoing, Henkel Corporation specifically disclaims all warranties expressed or implied, including warranties of merchantability or fitness for a particular purpose, arising from sale or use of Henkel Corporation's products. Henkel Corporation specifically disclaims any liability for consequential or incidental damages of any kind, including lost profits. The discussion herein of various processes or compositions is not to be interpreted as representation that they are free from domination of patents owned by others or as a license under any Henkel Corporation patents that may cover such processes or compositions. We recommend that each prospective user test his proposed application before repetitive use, using this data as a guide. This product may be covered by one or more United States or foreign patents or patent applications.

Trademark usage

Except as otherwise noted, all trademarks in this document are trademarks of Henkel Corporation in the U.S. and elsewhere. ® denotes a trademark registered in the U.S. Patent and Trademark Office.

Document # 8904041, Date: 01/10/2014



Henkel Americas
1-800-LOCTITE
www.equipment.loctite.com

Henkel Europe
+49.89.320800.1800
www.henkel.com/industrial

Henkel Asia Pacific
+86.21.2891.8863
www.henkel.com/industrial