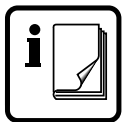
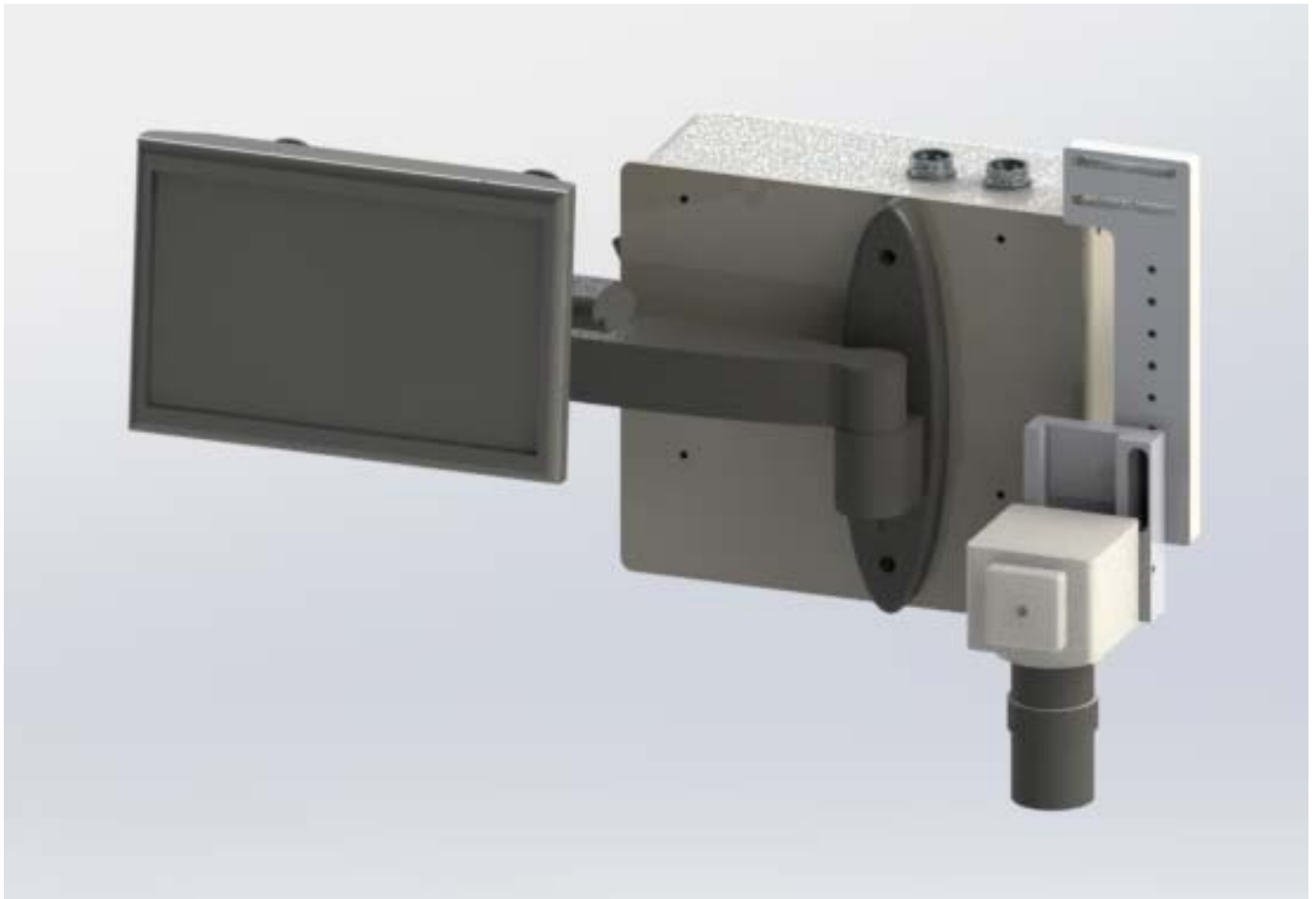


LOCTITE

1912406 EQ RB30 Robot Camera

Product Description Sheet



Description

The RB30 Robot Camera, part number 1912406, is designed for Loctite D Series Benchtop Robots. With camera system and updated D robot's firmware, it helps operator to program dispensing, especially small parts and small areas.

Product Features

- Designed for Loctite D series Benchtop Robots
- 1.3M pixel CCD,
- A lens of 6~15 mm focal length, 48.1~18.6 degree view angle.
- 7" screen, show parts' detail.
- Flexible mounting bracket.

Product Benefits

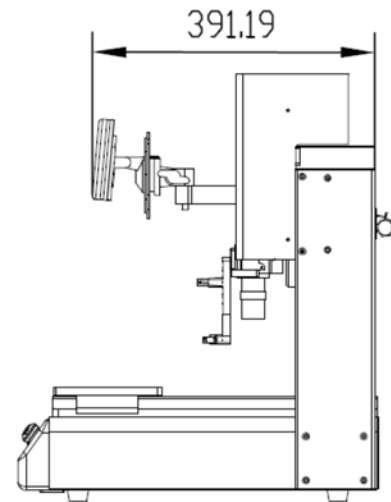
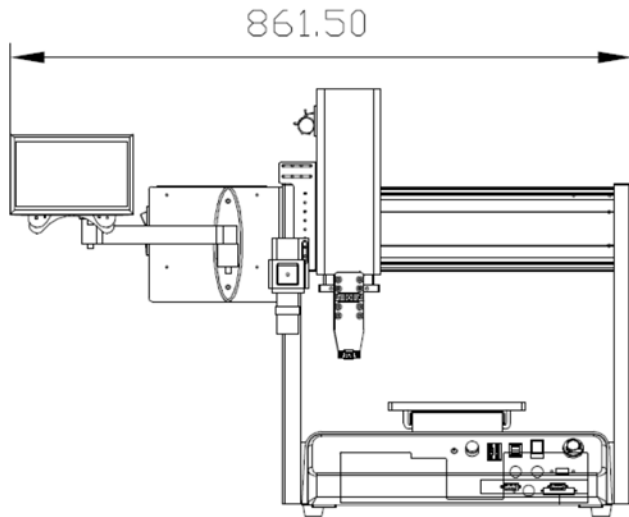
- Zoom small parts and small areas.
- Help programming, especially small parts.
- Inspection dispensing result via screen.

Technical Data

- 110~240VDC, 50/60Hz.
- Lens' angle of view: 48.1~18.6 degree.
- Aperture:1.4~360
- 7" screen.
- 1.3M pixel CCD, over 700 TV-LINE resolution.

Dimension

- Refer 300D Benchtop Robot



Note

The data contained herein are furnished for information only and are believed to be reliable. We cannot assume responsibility for the results obtained by others over whose methods we have no control. It is the user's responsibility to determine suitability for the user's purpose of any production methods mentioned herein and to adopt such precautions as may be advisable for the protection of property and of persons against any hazards that may be involved in the handling and use thereof. In light of the foregoing, Henkel Corporation specifically disclaims all warranties expressed or implied, including warranties of merchantability or fitness for a particular purpose, arising from sale or use of Henkel Corporation's products. Henkel Corporation specifically disclaims any liability for consequential or incidental damages of any kind, including lost profits. The discussion herein of various processes or compositions is not to be interpreted as representation that they are free from domination of patents owned by others or as a license under any Henkel Corporation patents that may cover such processes or compositions. We recommend that each prospective user test his proposed application before repetitive use, using this data as a guide. This product may be covered by one or more United States or foreign patents or patent applications.

Trademark usage

Except as otherwise noted, all trademarks in this document are trademarks of Henkel Corporation in the U.S. and elsewhere. ® denotes a trademark registered in the U.S. Patent and Trademark Office.

Document # 8905180, Date: 01/16/2017

Henkel Americas

1-800-LOCTITE

www.equipment.loctite.com

Henkel Europe

+49.89.320800.1800

www.henkel.com/industrial

Henkel Asia Pacific

+86.21.2891.8863

www.henkel.com/industrial