

LOCTITE

1001 Trout Brook Crossing
Rocky Hill, CT 06067-3910
Telephone: (860) 571-5100
FAX: (860) 571-5465

Product Description Sheet

Zeta[®] 7415 Conveyor

Part # 98003

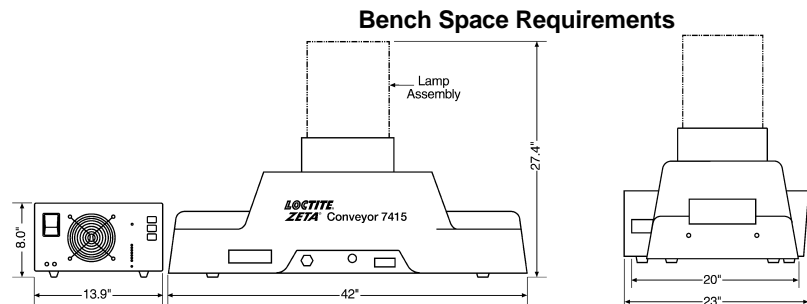
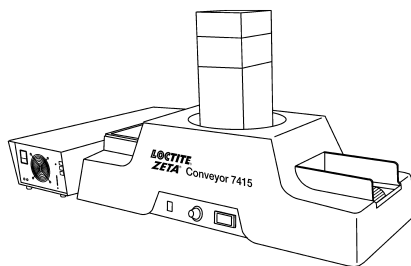
North American Equipment, May 1999

PRODUCT DESCRIPTION

LOCTITE[®] Zeta[®] 7415 is a variable speed conveyor that accommodates a Fusion F300S/SQ 6 inch ultraviolet lamp. The lamp assembly and power supply (P/N 98004 and 98005) are ordered separately. Process development and testing along with small scale light curing production are typical applications. Good for use in confined and exposed bondline applications.

PRODUCT FEATURES

- Conveyor speed is variable ranging from 3.3 to 23 feet/ minute or can be reconfigured to 0.3 to 7.2 feet per minute
- Maximum part size: 7 1/2" width x 3" height
- Typical curing area width of 6 inches
- Lamp orientation and height are adjustable
- Electrodeless bulb technology
- The system is shipped standard with an "H" bulb, but will accept "D" or "V" bulbs to fine tune lamp spectral output
- 5,000 hours of expected UV bulb life of the "H" bulb, with proper handling and maintenance
- High UV output with low IR output results in less heat to the substrate
- Integrated modular blower for lamp cooling



Technical Data (conveyor)

- Utilities: 117 VAC single phase, 1 amp, 50/60 Hz or can be configured for 230 VAC single phase
- Overall dimensions: 27.4" (694.9 mm) high x 42" (1066.8 mm) wide x 20" (508 mm) deep
- Weight: 85 lbs

Technical Data (98004 Power Supply & Lamp Assembly)

- Utilities: 208 VAC single phase, 18 amps, 50/60 Hz

Technical Data (98005 Power Supply & Lamp Assembly)

- Utilities: 240 VAC single phase, 18 amps, 50/60 Hz

- Power Supply overall dimensions: 8" (204 mm) high x 19.9" (353 mm) wide x 23" (584 mm) deep

Zeta 7415 System Includes

- Operation manual, P/N 983473
- Ultraviolet protection glasses, P/N 97210

Note: Lamp Assembly and power supply sold separately, P/N 98004 - 208 VAC, P/N 98005 - 240 VAC

Recommendations

UV cure rate is dependent on lamp intensity, distance from the light source, depth of cure needed or bondline gap and the light transmittance of the substrate through which the radiation must pass. Loctite Corporation recommends that you test all adhesive applications under simulated or actual end use conditions to ensure the adhesive meets or exceeds all required product specifications. Refer to the Loctite Light Cure Product Selector Guide and product Technical Data Sheets for curing specifications and performance.

NOT FOR PRODUCT SPECIFICATIONS
PLEASE CONTACT LOCTITE CORPORATION FOR ASSISTANCE: 1-800-LOCTITE (1-800-562-8483)

The data contained herein are furnished for information only and are believed to be reliable. We cannot assume responsibility for the results obtained by others over whose methods we have no control. It is the user's responsibility to determine suitability for the user's purpose of any production methods mentioned herein and to adopt such precautions as may be advisable for the protection of property and of persons against any hazards that may be involved in the handling and use thereof. In light of the foregoing, LOCTITE CORPORATION SPECIFICALLY DISCLAIMS ALL WARRANTIES EXPRESSED OR IMPLIED, INCLUDING WARRANTIES OF MERCHANTABILITY OR FITNESS FOR A PARTICULAR PURPOSE, ARISING FROM SALE OR USE OF LOCTITE CORPORATION'S PRODUCTS. LOCTITE CORPORATION SPECIFICALLY DISCLAIMS ANY LIABILITY FOR CONSEQUENTIAL OR INCIDENTAL DAMAGES OF ANY KIND, INCLUDING LOST PROFITS. The discussion herein of various processes or compositions is not to be interpreted as representation that they are free from domination of patents owned by others or as a license under any Loctite Corporation patents that may cover such processes or compositions. We recommend that each prospective user test his proposed application before repetitive use, using this data as a guide. This product may be covered by one or more United States or foreign patents or patent applications.

Loctite and Zeta are trademarks of Loctite Corp. U.S.A.