



LOCTITE[®]

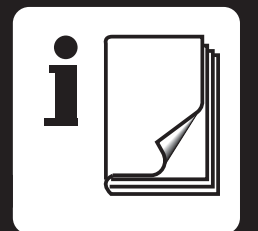
EQUIPMENT

INSTRUCTION MANUAL



RotoSpray Reservoir

982880



LOCTITE[®]

Loctite Americas
1001 Trout Brook Crossing
Rocky Hill, CT 06067-3910

Loctite Corporation
One Northfield Plaza, 5600 Crooks Rd.
Suite 105
Troy, Michigan 48098

Loctite Canada Inc.
2225 Meadowpine Blvd.
Mississauga, Ontario L5N 7P2

Loctite Company de México, S.A. de C.V.
Calzada de la Viga s/n, Fracc. Los Laureles
Loc. Tulpetlac, C.P. 55090
Ecatepec de Morelos, Edo. de México
México

Loctite Brazil
Av. Prof. Vernon Kriebler, 91
06690-11-Itapevi

Loctite expressly warrants that all products referred to in this Instruction Manual under RotoSpray Reservoir (hereafter called "Products") shall be free from defects in materials and workmanship. Liability for Loctite shall be limited, at its option, to replacing those Products which are shown to be defective either in materials or workmanship or to credit to the purchaser the amount of the purchase price thereof (plus freight and insurance charges paid therefor by the user). The purchaser's sole and exclusive remedy for breach or warranty shall be such replacement or credit.

A claim of defect in materials or workmanship in any Products shall be allowed only when it is submitted to Loctite in writing within one month after discovery of the defect or after the time the defect should have been discovered and in any event within twelve months after the delivery of the Products to the purchaser. No such claim shall be allowed in respect of Products which have been neglected or improperly stored, transported, handled, installed, connected, operated, used or maintained, or in the event of unauthorized modification of the Products including; where products, parts, or attachments for use in connection with the Products are available from Loctite; the use of products, parts or attachments which are not manufactured by Loctite.

No Products shall be returned to Loctite for any reason without prior written approval from Loctite. Products shall be returned freight prepaid in accordance with instructions from Loctite.

NO WARRANTY IS EXTENDED TO ANY EQUIPMENT WHICH HAS BEEN ALTERED, MISUSED, NEGLECTED, OR DAMAGED BY ACCIDENT, OR IF THE SYSTEM IS USED TO DISPENSE ANY LIQUID MATERIAL OTHER THAN LOCTITE CORPORATION PRODUCTS.

EXCEPT FOR THE EXPRESS WARRANTY CONTAINED IN THIS SECTION, LOCTITE MAKES NO WARRANTY OF ANY KIND WHATSOEVER, EXPRESS OR IMPLIED, WITH RESPECT TO THE PRODUCTS.

ALL WARRANTIES OR MERCHANTABILITY, FITNESS FOR A PARTICULAR PURPOSE, AND OTHER WARRANTIES OF WHATEVER KIND (INCLUDING AGAINST PATENT OR TRADEMARK INFRINGEMENT) ARE HEREBY DISCLAIMED BY LOCTITE AND WAIVED BY THE PURCHASER.

THIS SECTION SETS FORTH EXCLUSIVELY ALL OF THE LIABILITY FOR LOCTITE TO THE PURCHASER IN CONTRACT, IN TORT OR OTHERWISE, IN THE EVENT OF DEFECTIVE PRODUCTS.

WITHOUT LIMITATION OF THE FOREGOING, TO THE FULLEST EXTENT POSSIBLE UNDER APPLICABLE LAWS, LOCTITE EXPRESSLY DISCLAIMS ANY LIABILITY WHATSOEVER FOR ANY DAMAGES INCURRED DIRECTLY OR INDIRECTLY IN CONNECTION WITH THE SALE OF, USE OF, OR OTHERWISE IN CONNECTION WITH THE PRODUCTS INCLUDING WITHOUT LIMITATION, LOSS OF PROFITS AND SPECIAL, INDIRECT OR CONSEQUENTIAL DAMAGES, WHETHER CAUSED BY NEGLIGENCE FROM LOCTITE OR OTHERWISE.

INFORMATION IN THIS MANUAL IS SUBJECT TO CHANGE WITHOUT NOTICE. OBSERVE ALL WARNINGS. READ and UNDERSTAND all instructions in the manual before attempting to install and operate this equipment.

This equipment has been designed and tested for use with Loctite® anaerobic products.

DO NOT USE equipment for other than intended use.

BE SURE that all adhesives, solvents, or fluids used are chemically compatible with the wetted parts of the equipment.

ALWAYS READ the Material Safety Data Sheet(s) before using adhesives, solvents, or any other chemicals in this equipment. **COMPLY** with **ALL WARNINGS** and **SAFETY INSTRUCTIONS AS STATED**.

ALWAYS WEAR protective eye wear, gloves, clothing, and respirator as recommended in this manual or the Material Safety Data Sheet(s).

Any misuse of the equipment or accessories, such as over-pressurizing or modifying parts, using incompatible chemicals or adhesives, or worn, damaged, or not recommended parts, can cause rupture or breakage and result in fluid injection, splashing in the eyes or on the skin, or other serious injury or property damage.

NEVER alter or modify any part of this equipment. Doing so could result in a malfunction.

CHECK the equipment regularly and repair or replace worn or damaged parts immediately.

Properly ground all electrical components as recommended in the manual or technical data. **ALWAYS RELIEVE** any pressure and turn off all power sources when checking or servicing any part of the equipment to reduce the risk of serious injury.

RETAIN THIS MANUAL FOR FUTURE REFERENCE.

4.1 Routine

Check all product lines for cracks, bends or breaks and replace as necessary.

4.2 Idle Times

If the RotoSpray reservoir is being used on a system that is being operated on a daily basis, there is no service needed. If the RotoSpray system and reservoir will be idle for longer than a month, then the product reservoir, fittings, and feedlines should be discarded and replaced with new ones.

4.3 Replacement Parts and Assemblies

Part No.	Description
56531	PST® 565 Thread Sealant
982881	Product Reservoir Kit
	Kit Contents: 1 Instruction Manual 1 6 ml Tube of Loctite® PST® 565 4 Fitting, Male Elbow, 1/4 NPT x 3/8 Tube, 3 Fitting, Reservoir Plug 1 Product Reservoir
982882	Reservoir Casement Kit
	Kit Contents: 4 Washer, Flat, 9/32 ID x 5/8 OD x 1/16 Thick 4 Screw, Regular Hex Head Bolt, 1/4-20 x 3/4 Long 1 Dowel Pin, 1/4 Dia. x 2-1/2 Long, Stainless Steel 1 RotoSpray Reservoir Mounting Block 1 RotoSpray Reservoir Lid 1 RotoSpray Reservoir Casement
982716	AC Level Sensor Kit
982732	DC Level Sensor Kit

To install and calibrate the low level sensor:

1. Install the RotoSpray reservoir sensor mounting bracket to the wall mounting bracket using the two #10-32 x 1/4 long screws located in wall mounting bracket.
2. Install the low level sensor into the sensor bracket using two 32mm hex nuts.
3. Install appropriate fittings and/or plugs into product reservoir.
4. Place the RotoSpray product reservoir into the wall mounting bracket and secure with the casement assembly.
5. Fill product reservoir with sealant (at least 2 liters of product is required for calibration).
6. Adjust the sensor location so that the face of the sensor is making contact with the product reservoir. Lock in place with hex nut.
7. **Output:** These sensors have a selector switch which allows you to change the state of the sensor's output to suit your specific needs (see the sensor wiring instructions located in sensor box). The sensors are "shipped" set up for the following outputs:

24 VDC Version:	Normally Closed, PNP
110 VAC Version:	Normally Open
8. **Indicator Lights:** Green ON = sensor's internal contact "closed"
Yellow ON = sensor's internal contact "open"
9. **Calibration:** These sensors have a sensitivity adjustment screw which allows you to fine-tune how responsive the sensor is to the presence of product.
10. **Calibration Procedure:**
 - a. Fill reservoir with at least 2 liters of product.
 - b. Apply 24 VDC or 110V/60Hz to sensor per wiring instructions.
 - c. Adjust the sensitivity adjustment screw to the transition point where a slight rotation in either direction reverses the status of the indicator lights. Once in this position, turn the screw clockwise so that the light tripped by clockwise rotation "just" turns on.
 - d. Now turn the screw clockwise an additional 1/2 turn.
 - e. Raise the bottle up away from the sensor to confirm that removing the product reservoir away from the sensor reverses the status of the indicator lights. If light status does not change repeat step 10c,10d and 10e.

1.0 Warnings and Precautions	1
2.0 Introduction	
2.1 Description	2
2.2 Items Supplied	2
3.0 Installation	
3.1 Specifications	3
3.2 Assembly Drawing	3
3.3 Installation Procedure	4
3.3.1 Mounting	4
3.3.2 Wall Mounting Bracket	4
3.4 Connecting Product Lines to Reservoir	5
4.0 Maintenance	
4.1 Routine	6
4.2 Idle Times	6
4.3 Replacement Parts and Assemblies	6
5.0 Low-Level Sensor Set-Up and Calibration	7
6.0 Warranty	8

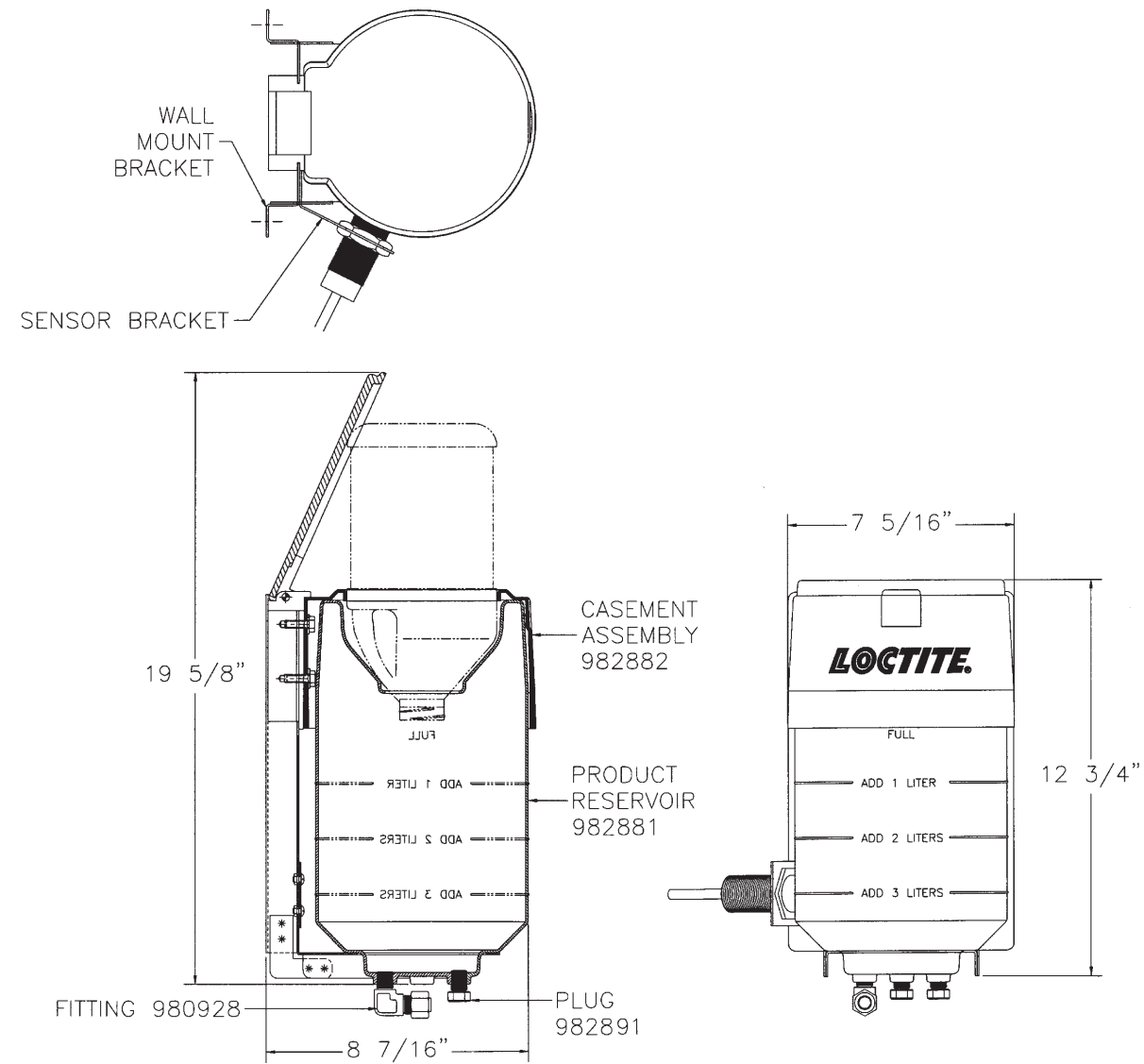
3 Installation

3.1 Specifications

Dimensions:

- Width:7 5/16"
- Depth:8 7/16"
- Height:12 3/4"
- Height with Lid Up:19 5/8"
- Size of Reservoir:Four liters
- Weight of Assembly:4.5 lbs.
- Weight of Assembly with 4 liters of Loctite® anaerobic product:14 lbs.

3.2 Assembly Drawing



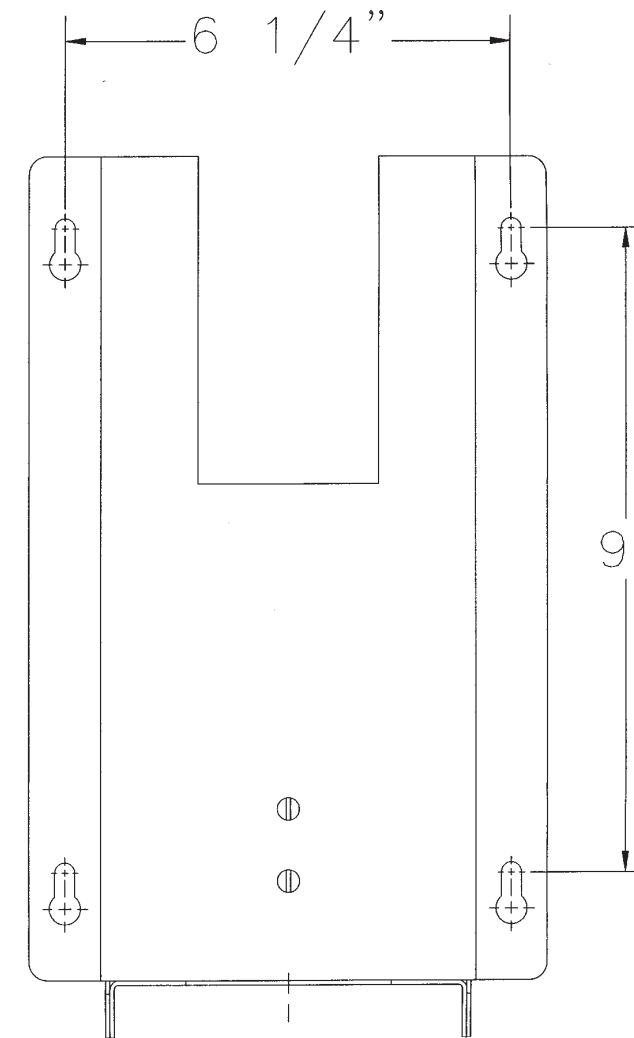
3 Installation

3.3 Installation Procedure

3.3.1 Mounting

The wall mounting bracket has four slotted holes to accommodate installation. Use 1/4" diameter machine screws to secure the bracket. The reservoir is a gravity feed reservoir; therefore, it is necessary to mount the reservoir above the RotoSpray 9000 pump.

3.3.2 Wall Mounting Bracket



3.4 Connecting Product Lines to Reservoir

1. Install the appropriate number of fittings and plugs to the reservoir. Apply Loctite® PST® 565 Thread Sealant to fitting/plug. Sealant is applied starting at the third thread from the end of the fitting/plug and on to the next three threads. The fitting/plug is then screwed into the 1/4 NPT hole at the bottom of the reservoir.
2. If the optional sensor is to be used, install the sensor bracket to the wall mounting bracket using the two #10-32 screws located on the front center of the wall mounting bracket.
3. The product reservoir is placed into the wall mounting bracket.
4. The casement is positioned over the product reservoir. The mounting block, located at the back of the casement, has two thin grooves machined into the sides of the block which allow the mounting block to mate with the square cut out located at the top of the wall mounting bracket. Slide the casement into the square cut out and over the product reservoir.
5. A three foot length of 3/8" O.D. feedline is supplied with the RotoSpray 9000 pump in the Feedline Accessory Kit (part no. 983356). If required, additional tubing may be purchased separately under part no. 981866. The feedline is connected to the fitting on the reservoir and pump.
6. The reservoir is now ready to accept Loctite® anaerobic product.

For technical or service information, contact Loctite at 1-800-LOCTITE (1-800-562-8483).

The instructions in this manual relate to the operation of the Loctite® RotoSpray Reservoir Part No. 982880. This reservoir is designed specifically for use with Loctite® anaerobic products. The reservoir can hold up to four liters of product, has a self closing lid, and can feed one to four RotoSpray 9000 pump assemblies.

2.1 Description

The Loctite RotoSpray Reservoir has been designed to be integrated into a system used to apply Loctite anaerobic products. The system generally consists of the following items:

The Loctite RotoSpray 9000 Pump
Product applicator such as a Loctite RotoSpray
An electrical/pneumatic control system

The Loctite RotoSpray Reservoir is a continuous flow gravity feed reservoir capable of holding up to four liters of Loctite anaerobic product. The product reservoir has translucent sides so that the level of product can be easily seen. The reservoir is closed off with a flip up type lid that opens to a large diameter for easy filling. The Loctite one liter anaerobic product package can be tipped into the reservoir and left there to drain. Once the bottle is removed the lid will fall to the closed position. The lid keeps contaminants from falling into the reservoir. The reservoir can feed one to four Loctite RotoSpray 9000 pumps.

2.2 Items Supplied

Open the shipping carton to inspect for visible damage and verify that the following are present:

- 1 (one) instruction manual
- 1 (one) reservoir
- 1 (one) wall mounting bracket
- 1 (one) reservoir casement
- 1 (one) sensor mounting bracket
- 1 (one) parts kit containing:
 - 3 (three) reservoir plugs
 - 4 (four) male elbow fittings
 - 1 (one) tube of Loctite® PST® 565 Thread Sealant

Optional equipment sold separately.

- RotoSpray Reservoir AC Sensor Kit, part no. 982716
- RotoSpray Reservoir DC Sensor Kit, part no. 982702

This reservoir has been inspected before shipment. Any damage or missing parts should be promptly reported to the carrier and your Loctite representative.

CAUTION: DO NOT REMOVE ANY ITEMS THAT ARE SEALED IN PLASTIC BAGS UNTIL THEY ARE TO BE USED AS THEY MAY BECOME CONTAMINATED RESULTING IN PERFORMANCE PROBLEMS.