

**Part Numbers: 983436 200 ml Manual Applicator
983438 400 ml Manual Applicator**

Installation Instructions:

Both applicators are fully assembled and ready to dispense 1:1 and 2:1 dual cartridges. For the 400 ml Manual Applicator only, select ratio. For extended use, counterbalancing of applicator is recommended.

1. Retract Plunger

Press release catch (red button on 200 ml Manual Applicator and metal lever on the 400 ml Manual Applicator) and fully retract plunger.

2. Insert dual cartridge

Insert dual cartridge into cartridge tray, ensuring that the locating tab slides into groove. Push down until locked into position.

3. Install static mix nozzle

To remove plug from cartridge, leave metal clip in place and unscrew retaining nut. Install mix nozzle (sold separately) on cartridge and secure in place with retaining nut. Dispense product by squeezing trigger. When dispensing is complete, press release catch to relieve pressure.

Note: If dispensing is restricted, product may be cured in static mix nozzle. Replace nozzle.

4. Removal of cartridge

Press release catch and fully retract plunger. Press ejection button on cartridge tray.

Replacement Parts & Accessories Part No.

For 200 ml Applicator 983436:

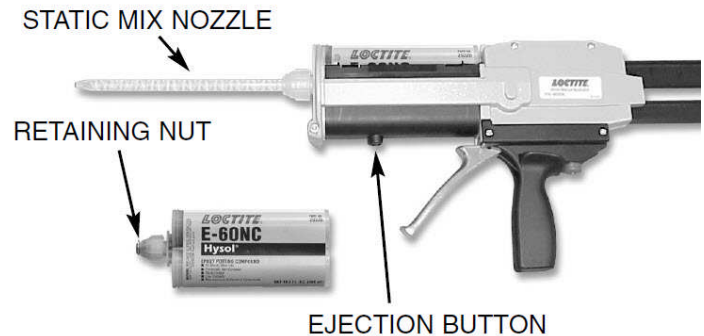
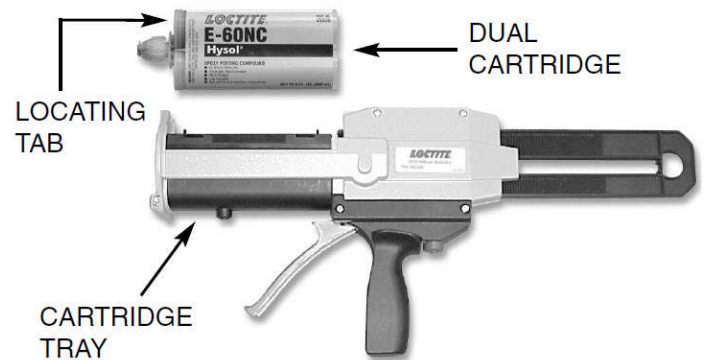
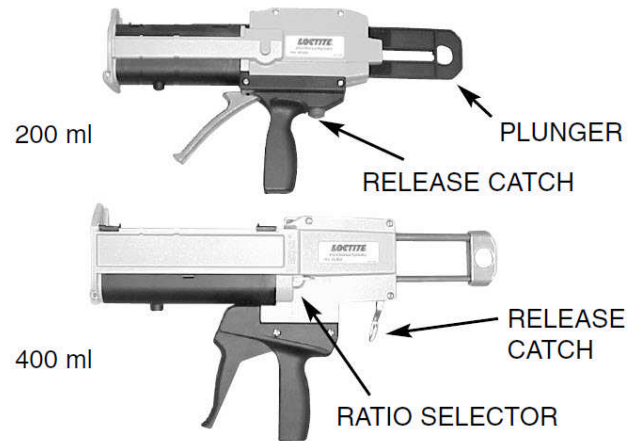
- 1:1 / 2:1 Plunger Kit 985543

For 400 ml Applicator 983438:

- 4:1 Conversion Kit (optional) 984211

Henkel sells a variety of mix nozzles.

Refer to Equipment Catalog or
www.equipment.loctite.com



Warranty:

Henkel expressly warrants that all products referred to in this Instruction Manual for 983436 & 983438 Applicators (hereafter called "Products") shall be free from defects in materials and workmanship. Liability for Henkel shall be limited, as its option, to replacing those Products which are shown to be defective in either materials or workmanship or to credit the purchaser the amount of the purchase price thereof (plus freight and insurance charges paid therefor by the user). The purchaser's sole and exclusive remedy for breach of warranty shall be such replacement or credit.

A claim of defect in materials or workmanship in any Products shall be allowed only when it is submitted in writing within one month after discovery of the defect or after the time the defect should reasonably have been discovered and in any event, within (12) months after the delivery of the Products to the purchaser. No such claim shall be allowed in respect of products which have been neglected or improperly stored, transported, handled, installed, connected, operated, used or maintained. In the event of unauthorized modification of the Products including, where products, parts or attachments for use in connection with the Products are available from Henkel, the use of products, parts or attachments which are not manufactured by Henkel, no claim shall be allowed.

No Products shall be returned to Henkel for any reason without prior written approval from Henkel. Products shall be returned freight prepaid, in accordance with instructions from Henkel.

NO WARRANTY IS EXTENDED TO ANY EQUIPMENT WHICH HAS BEEN ALTERED, MISUSED, NEGLECTED, OR DAMAGED BY ACCIDENT.

EXCEPT FOR THE EXPRESS WARRANTY CONTAINED IN THIS SECTION, HENKEL MAKES NO WARRANTY OF ANY KIND WHATSOEVER, EXPRESS OR IMPLIED, WITH RESPECT TO THE PRODUCTS.

ALL WARRANTIES OF MERCHANTABILITY, FITNESS FOR A PARTICULAR PURPOSE, AND OTHER WARRANTIES OF WHATEVER KIND (INCLUDING AGAINST PATENT OR TRADEMARK INFRINGEMENT) ARE HEREBY DISCLAIMED BY HENKEL AND WAIVED BY THE PURCHASER.

THIS SECTION SETS FORTH EXCLUSIVELY ALL OF LIABILITY FOR HENKEL TO THE PURCHASER IN CONTRACT, IN TORT OR OTHERWISE IN THE EVENT OF DEFECTIVE PRODUCTS.

WITHOUT LIMITATION OF THE FOREGOING, TO THE FULLEST EXTENT POSSIBLE UNDER APPLICABLE LAWS, HENKEL EXPRESSLY DISCLAIMS ANY LIABILITY WHATSOEVER FOR ANY DAMAGES INCURRED DIRECTLY OR INDIRECTLY IN CONNECTION WITH THE SALE OR USE OF, OR OTHERWISE IN CONNECTION WITH, THE PRODUCTS, INCLUDING, WITHOUT LIMITATION, LOSS OF PROFITS AND SPECIAL, INDIRECT OR CONSEQUENTIAL DAMAGES, WHETHER CAUSED BY NEGLIGENCE FROM HENKEL OR OTHERWISE.

Henkel Corporation
One Henkel Way
Rocky Hill, CT 06067-3910

Henkel Canada Corporation
2515 Meadowpine Boulevard
Mississauga, Ontario L5N 6C3
Canada

Henkel Capital, S.A. de C.V.
Calzada de la Viga s/n Fracc. Los Laureles
Loc. Tulpetlac, C.P. 55090
Ecatepec de Morelos, Edo. de México

Henkel Corporation
Automotive / Metals HQ
32100 Stephenson Hwy.
Madison Heights, MI 48071

Henkel Ltda.
Rua Karl Huller, 136 – Jd.
Canhema 09941-410
Diadema/SP, Brazil

www.loctite.com

® and ™ designate trademarks of Henkel Corporation or its affiliates. ® = registered in the U.S. and elsewhere. © Henkel Corporation, 2009. All rights reserved. Data in this operation manual is subject to change without notice.
Instructions P/N: 983717, Rev D, Date: 04/26/2013

