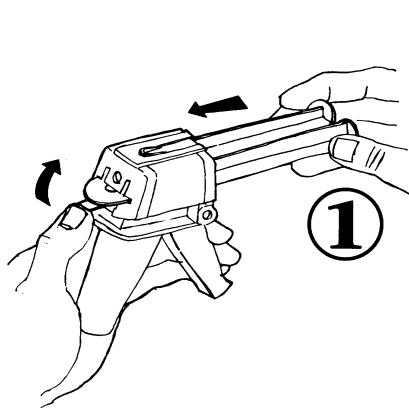


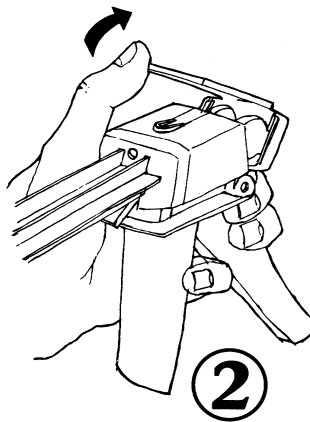
## 50 ml Manual Dispenser

Part No. 983531

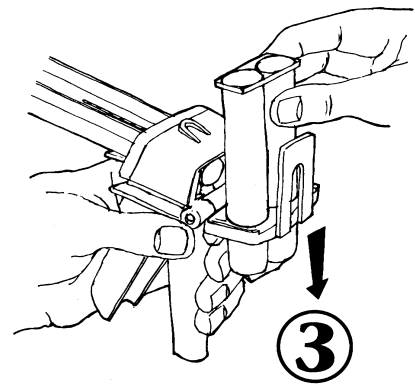
Instructions: *As easy as 1, 2, 3...*



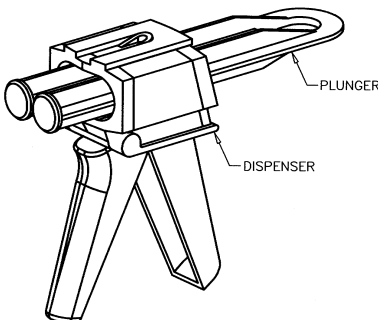
Insert plunger, track side down, into slot on front face of the dispenser. Push up the metal lever on the back of the dispenser and slide the plunger full length into the dispenser.



Lift up the plastic catch on the syringe holder bracket.



Drop in the syringe. Return the holder to original position and snap catch back into place. Dispense product by squeezing trigger.



### Replacement Parts

1:1 Plunger	983533
2:1 Plunger	983534
4:1 Plunger	984209
10:1 Plunger	986086

**Henkel Loctite Corporation**  
1001 Trout Brook Crossing  
Rocky Hill, CT 06067-3910

**Henkel Loctite Automotive  
Technology Center**  
2455 Featherstone Road  
Auburn Hills, Michigan 48326

**Henkel Loctite Canada Inc.**  
2225 Meadowpine Boulevard  
Mississauga, Ontario L5N 7P2

**Henkel Ltda. Brazil**  
Av. Prof. Vernon Kriebler, 91  
06690-11-Itapevi  
São Paulo-Brazil

**Henkel Mexicana, S.A. de C.V.**  
Calzada de la Viga s/n, Fracc. Los Laureles  
Loc. Tulpetlac, C.P. 55090  
Ecatepec de Morelos, Edo. de México,  
México

[www.loctite.com](http://www.loctite.com)