

Loctite® Foot Dispenser with Vacuum

Part No. 98050

SET UP AND OPERATION

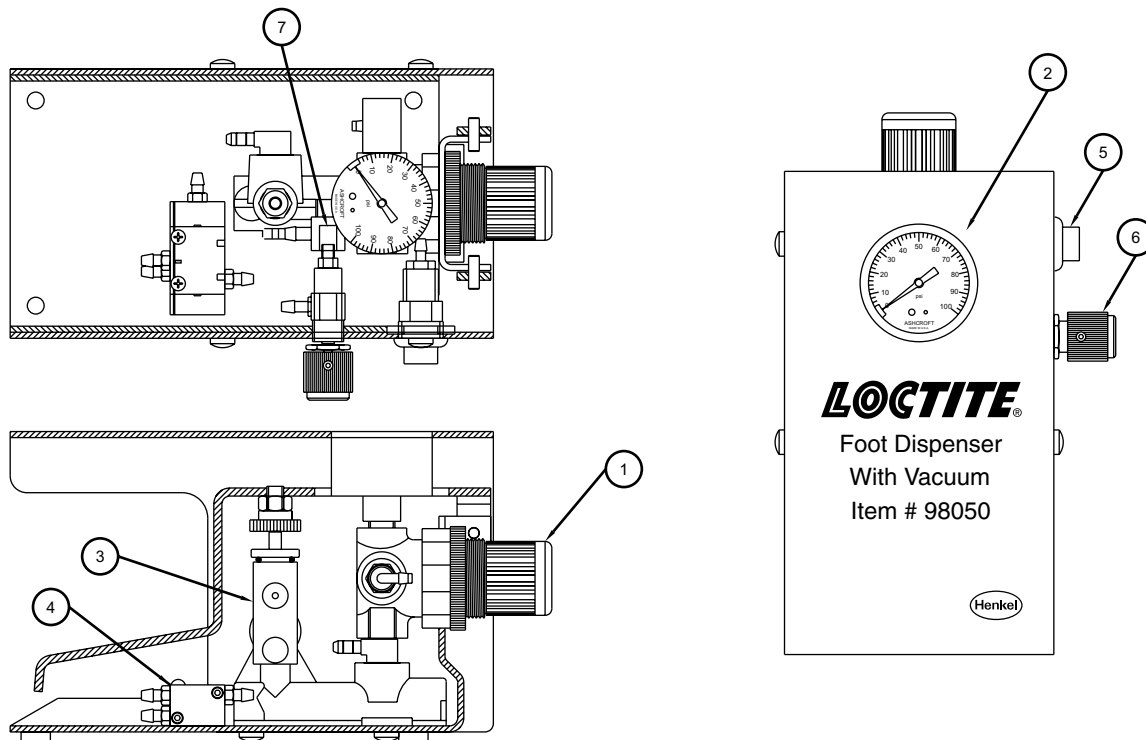
1. Connect Foot Dispenser (1/8 NPT connection) to a 100 PSI maximum dry filtered air supply.
2. Insert quick connect end of 10cc or 30cc Airline Adapter into air outlet port of the Foot Dispenser and turn clockwise until secure.
3. Turn Regulator knob on the end of the Foot Dispenser clockwise to increase dispense pressure. Pressure Gauge will indicate desired pressure setting.
4. If vacuum "Suck-Back" is desired, turn Vacuum Adjustment Knob counterclockwise to increase vacuum intensity.

CAUTION: Excessive vacuum could draw material into the air line. Use only enough vacuum to draw back material into the dispense tip.

5. To activate dispense circuit, press on Foot Dispenser pedal. Material should flow as long as the pedal is depressed.
6. The amount of material dispensed per cycle depends on the combination of air pressure, duration of dispense cycle, viscosity of material, temperature, and dispense tip size.

SPECIFICATIONS:

Size	8" x 5" x 5" (20.3 x 12.7 x 12.7 cm)
Weight.....	4.1 lbs. (1.86 kg)
Input Pressure	60 PSI Min. (4.1 Bar)
	100 PSI Max. (7 Bar)
Operating Pressure.....	20 - 100 PSI (1.4 - 7 Bar)
Suck-Back.....	To 15" Hg, activated when foot pedal is released.



Accessory Items

Description	Order No.
10cc Syringe Starter Kit Consists Of: 1 Syringe Airline Adapter, 4 Clear Syringes, 1 Black Syringe, 5 Pistons, 5 Barrel Caps, 5 Tip Caps.	97216
30cc Syringe Starter Kit Consists Of: 1 Syringe Airline Adapter, 4 Clear Syringes, 1 Black Syringe, 5 Pistons, 5 Barrel Caps, 5 Tip Caps.	97294
10cc Syringe Airline Adapter Pkg of 2	97208
30cc Syringe Airline Adapter Pkg of 2	97245

Replacement Parts

No.	Description	Order No.
1	Pressure Regulator	984641
2	Pressure Gauge	985716
3	Body Valve Assembly	985715
4	Valve, 4 Way Pilot	985725
5	Panel Mount Coupler	984640
6	Needle Valve & Knob	985732
7	Vacuum Venturi	984639

WARRANTY

Loctite expressly warrants that all products referred to in this Instruction Sheet for 98050 Foot Dispenser with Vacuum (hereafter called "Products") shall be free from defects in materials and workmanship. Liability for Loctite shall be limited, as its option, to replacing those Products which are shown to be defective in either materials or workmanship or to credit the purchaser the amount of the purchase price thereof (plus freight and insurance charges paid therefor by the user). The purchaser's sole and exclusive remedy for breach of warranty shall be such replacement or credit.

A claim of defect in materials or workmanship in any Products shall be allowed only when it is submitted in writing within one month after discovery of the defect or after the time the defect should reasonably have been discovered and in any event, within 12 months after the delivery of the Products to the purchaser. This warranty does not apply to perishable items, such as fuses etc. No such claim shall be allowed in respect of products which have been neglected or improperly stored, transported, handled, installed, connected, operated, used or maintained. In the event of unauthorized modification of the Products including, where products, parts or attachments for use in connection with the Products are available from Loctite, the use of products, parts or attachments which are not manufactured by Loctite, no claim shall be allowed.

No Products shall be returned to Loctite for any reason without prior written approval from Loctite. Products shall be returned freight prepaid, in accordance with instructions from Loctite.

NO WARRANTY IS EXTENDED TO ANY EQUIPMENT WHICH HAS BEEN ALTERED, MISUSED, NEGLECTED, OR DAMAGED BY ACCIDENT, OR IF THE SYSTEM USED TO DISPENSE ANY LIQUID MATERIAL OTHER THAN LOCTITE PRODUCTS.

EXCEPT FOR THE EXPRESS WARRANTY CONTAINED IN THIS SECTION, LOCTITE MAKES NO WARRANTY OF ANY KIND WHATSOEVER, EXPRESS OR IMPLIED, WITH RESPECT TO THE PRODUCTS.

ALL WARRANTIES OF MERCHANTABILITY, FITNESS FOR A PARTICULAR PURPOSE, AND OTHER WARRANTIES OF WHATEVER KIND (INCLUDING AGAINST PATENT OR TRADEMARK INFRINGEMENT) ARE HEREBY DISCLAIMED BY LOCTITE AND WAIVED BY THE PURCHASER.

THIS SECTION SETS FORTH EXCLUSIVELY ALL OF LIABILITY FOR LOCTITE TO THE PURCHASER IN CONTRACT, IN TORT OR OTHERWISE IN THE EVENT OF DEFECTIVE PRODUCTS.

WITHOUT LIMITATION OF THE FOREGOING, TO THE FULLEST EXTENT POSSIBLE UNDER APPLICABLE LAWS, LOCTITE EXPRESSLY DISCLAIMS ANY LIABILITY WHATSOEVER FOR ANY DAMAGES INCURRED DIRECTLY OR INDIRECTLY IN CONNECTION WITH THE SALE OR USE OF, OR OTHERWISE IN CONNECTION WITH, THE PRODUCTS, INCLUDING, WITHOUT LIMITATION, LOSS OF PROFITS AND SPECIAL, INDIRECT OR CONSEQUENTIAL DAMAGES, WHETHER CAUSED BY NEGLIGENCE FROM LOCTITE OR OTHERWISE.



Loctite Industrial

Loctite Corporation
1001 Trout Brook Crossing
Rocky Hill, CT 06067-3910

**Loctite Automotive
Technology Center**
2455 Featherstone Road
Auburn Hills, Michigan 48326

Loctite Canada Inc.
2225 Meadowpine Boulevard
Mississauga, Ontario L5N 7P2

Loctite Brazil
Av. Prof. Vernon Kriebler, 91
06690-11-Itapevi
São Paulo-Brazil

Loctite Company de México, S.A. de C.V.
Calzada de la Viga s/n, Fracc. Los Laureles
Loc. Tulpetlac, C.P. 55090
Ecatepec de Morelos, Edo. de México,
México

www.loctite.com

Loctite is a trademark of Loctite Corporation, U.S.A.

© Copyright 2002. Loctite Corporation. All rights reserved. Data in this instruction sheet is subject to change without notice.
985730 Rev. A, 06/02