

Loctite® 7411-S Shutter System Assembly Item Number 98420

Installation Instructions:

1. Remove shutter assembly from the shipping box.
2. The Loctite® 7411-S unit should be cool and unplugged. The cable assembly to the lamp head should also be unplugged.
3. Loosen the locking nut on the Plate and Column Assembly post and remove the lamp assembly. Place the lamp assembly so that the glass is facing upward.

! Hold the filter glass when removing the mounting screws. The glass may slip off during the disassembly.

4. Remove the flexible UV shield and mounting ring by removing (4) screws at the corners of the underside of the Lamp Housing Assembly.
5. Place the glass in a safe place from being damaged.
6. The shutter assembly can now be installed. The dial timer and start pushbutton face the front of the unit.



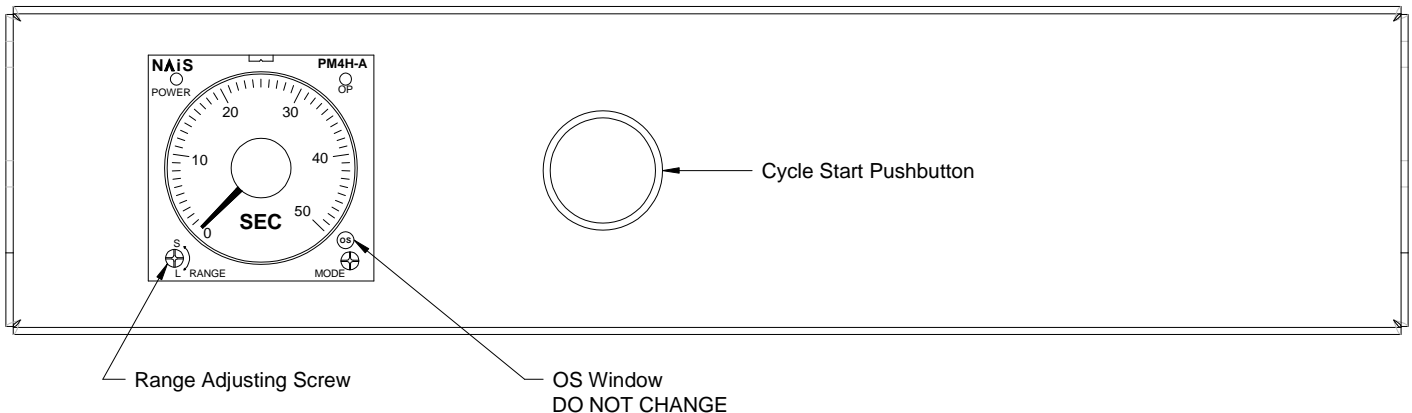
7. Locate (4) #8-32 x 2 1/2 Phillips Pan Head Screws included with the shipment. Also, observe the flush mounted connector on the shutter's topside. This connector will mate with the flush mounted connector on the front underside of the Loctite® 7411-S UV Flood System.
8. Once the Shutter and Flood System are mated, place the UV Filter Glass, UV Shield Curtain, mounting ring and attach with the 4 screws located in step 7 to the underside of the Shutter Assembly.
9. Place the Lamp Housing Assembly on the Post and lock in place. Connect the Lamp cable from the Base unit to the Lamp Housing connector.
10. Adjust the dial timer to a desired setting.
11. Connect the power plug of the Base unit to an electrical outlet. Turn the power switch to the ON position. Allow the unit to warm up (5 minutes).
12. Press the green start pushbutton. The shutter should open, and remain open until the dialed time expires.

Adjusting Shutter Times:

1. The timer's operating range is programmable. By turning the small screw at the lower left corner of the dial indicator, the range can be changed from 0 to 500 hours.
2. To change the range of the timer to be more suitable to an application, begin with the unit (power) turned off.

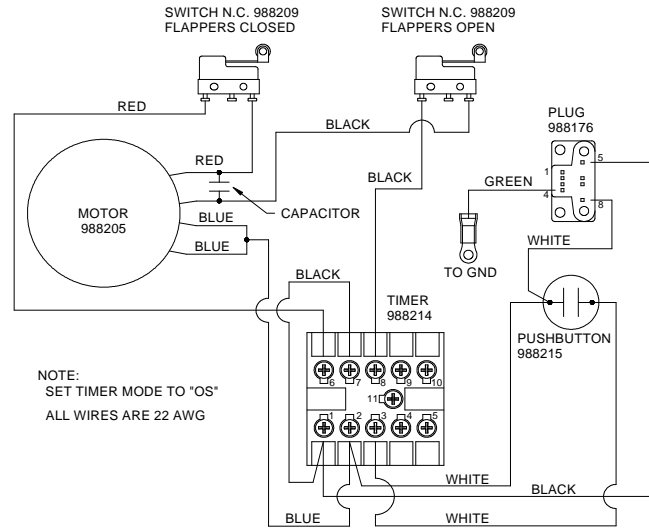
 **Power must be reinitialized for the cycling to change to the new settings**

3. When the screw adjustment for the range is turned, the numbers and time range change on the face of the dial indicator. Do NOT change the mode selector setting, it should always be set at "OS".
4. Use a small Philips screwdriver and turn the small screw adjustment (clockwise for a longer time, counterclockwise for a shorter time) until the desired range is displayed.



5. Turn on the power switch, and test that the shutter is cycling to the new time.

Electrical Schematic



WARRANTY

Henkel expressly warrants that all products referred to in this Instruction Manual for Loctite® 7411-S Shutter System (hereafter called "Products") shall be free from defects in materials and workmanship. Liability for Henkel shall be limited, as its option, to replacing those Products which are shown to be defective in either materials or workmanship or to credit the purchaser the amount of the purchase price thereof (plus freight and insurance charges paid therefor by the user). The purchaser's sole and exclusive remedy for breach of warranty shall be such replacement or credit.

A claim of defect in materials or workmanship in any Products shall be allowed only when it is submitted in writing within one month after discovery of the defect or after the time the defect should reasonably have been discovered and in any event, within (12) months after the delivery of the Products to the purchaser. This warranty does not apply to perishable items. No such claim shall be allowed in respect of products which have been neglected or improperly stored, transported, handled, installed, connected, operated, used or maintained. In the event of unauthorized modification of the Products including, where products, parts or attachments for use in connection with the Products are available from Henkel, the use of products, parts or attachments which are not manufactured by Henkel, no claim shall be allowed.

No Products shall be returned to Henkel for any reason without prior written approval from Henkel. Products shall be returned freight prepaid, in accordance with instructions from Henkel.

NO WARRANTY IS EXTENDED TO ANY EQUIPMENT WHICH HAS BEEN ALTERED, MISUSED, NEGLECTED, OR DAMAGED BY ACCIDENT, OR IF THE SYSTEM WAS USED TO DISPENSE ANY LIQUID MATERIAL OTHER THAN LOCTITE® PRODUCTS.

EXCEPT FOR THE EXPRESS WARRANTY CONTAINED IN THIS SECTION, HENKEL MAKES NO WARRANTY OF ANY KIND WHATSOEVER, EXPRESS OR IMPLIED, WITH RESPECT TO THE PRODUCTS.

ALL WARRANTIES OF MERCHANTABILITY, FITNESS FOR A PARTICULAR PURPOSE, AND OTHER WARRANTIES OF WHATEVER KIND (INCLUDING AGAINST PATENT OR TRADEMARK INFRINGEMENT) ARE HEREBY DISCLAIMED BY HENKEL AND WAIVED BY THE PURCHASER.

THIS SECTION SETS FORTH EXCLUSIVELY ALL OF LIABILITY FOR HENKEL TO THE PURCHASER IN CONTRACT, IN TORT OR OTHERWISE IN THE EVENT OF DEFECTIVE PRODUCTS.

WITHOUT LIMITATION OF THE FOREGOING, TO THE FULLEST EXTENT POSSIBLE UNDER APPLICABLE LAWS, HENKEL EXPRESSLY DISCLAIMS ANY LIABILITY WHATSOEVER FOR ANY DAMAGES INCURRED DIRECTLY OR INDIRECTLY IN CONNECTION WITH THE SALE OR USE OF, OR OTHERWISE IN CONNECTION WITH, THE PRODUCTS, INCLUDING, WITHOUT LIMITATION, LOSS OF PROFITS AND SPECIAL, INDIRECT OR CONSEQUENTIAL DAMAGES, WHETHER CAUSED BY NEGLIGENCE FROM HENKEL OR OTHERWISE.

Henkel Corporation
One Henkel Way
Rocky Hill, CT 06067-3910

Henkel Canada Corporation
2515 Meadowpine Boulevard
Mississauga, Ontario L5N 6C3
Canada

Henkel Capital, S.A. de C.V.
Calzada de la Viga s/n Fracc. Los Laureles
Loc. Tulpetlac, C.P. 55090
Ecatepec de Morelos, Edo. de México

Henkel Corporation
Automotive / Metals HQ
32100 Stephenson Hwy.
Madison Heights, MI 48071

Henkel Ltda.
Rua Karl Huller, 136 – Jd.
Canhema 09941-410
Diadema/SP, Brazil

www.loctite.com

Loctite is a trademark of Henkel Corporation, U.S.A. © Copyright 2004. Henkel Corporation
All rights reserved. Data in this operation manual is subject to change without notice.
Manual P/N: 988376, Rev C, Date: 04/12/2013

 **Technologies**