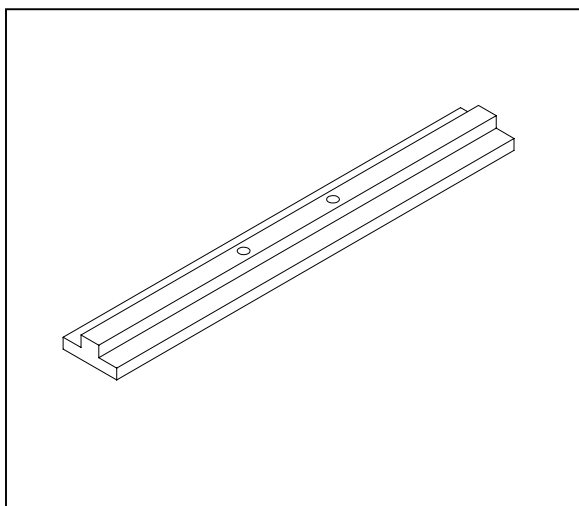


## Part No. 98329: 8 3/4" Mounting Rail Kit



### Description:

The 98329 mounting bracket kit is designed for attaching mounting bracket kits to 3 axis robots. The "C" rail on the mounting bracket kit allows for more than one bracket to be attached on a rail. This allows for multiple dispense points to increase through put. **The mounting bracket kit must be purchased separately.**

### Includes:

Qty	Description
1	8 3/4" Mounting Rail Kit
2	M5 x 12 mm socket head cap screws

### Instructions for Use:

1. Attach the mounting rail to the robot using the two cap head screws.

### Parts and Accessories:

Please see the other side for required parts that must be ordered separately and optional accessories.



Henkel Corporation  
1001 Trout Brook Crossing  
Rocky Hill, CT 06067  
USA

Phone 860.571.5174  
Fax 860.571.5131  
Equipment-customerservice@loctite.com

**Required: \*\*\* Must Be Purchased Separately \*\*\***

**Mounting Bracket Kits.** These are used to grasp syringe barrels, 300 ml cartridges or dispense valves.

Part No.	Description
98316	30 and 55 ml syringe mounting bracket kit
98318	300 ml cartridge mounting bracket kit
98326	98009 and 98013 valve mounting bracket kit
98327	97113 and 97114 valve mounting bracket kit
98406	983914 valve mounting bracket kit

**Optional Accessories:**

**Tip Locator Bracket.** The tip locator bracket is used to mechanically set the tip height during installation so that the program does not need to be corrected after a tip change. These are sized for 1" long, 25 gauge needles and must be modified by the user for larger gauge sizes.

Part No.	Description
98332	Tip locator bracket for 30 ml syringe
98333	Tip locator bracket for 300 ml cartridge
98334	Tip locator bracket for 98009 and 98013 valve
98335	Tip locator bracket for 97113 and 97114 valve
98407	Tip locator bracket for 983914 valve

**Z-Height Adjustment Plate.** When using a mounting rail attached directly to the robot, it may not be possible to bring the dispense tip in contact with a flat part on the 400 Series robot. When using the 200 series robot, a large part may require that the dispense tip be mounted further away. This plate allows for up to 6" of rough adjustment of the location of the mounting bracket above or below the mounting hole in the robot.

Part No.	Description
98357	Z height adjustment plate

**360 Degree Rotation Adapter.** This is used to allow for 360 degrees of rotation when using a mounting bracket kit or tip locator. A 360-degree rotation kit is already included with the mounting adapter for 4 axis robots.

Part No.	Description
98325	360 degree rotation kit