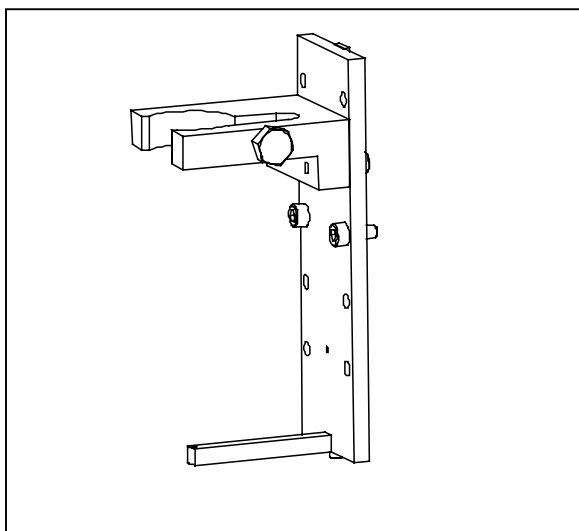


## Part No. 98343: 97113 and 97114 Valve Holder for SCARA Robots



### Description:

The 98343 valve holder is designed for holding one 97113 or 97114 valve when using Loctite® 3 axis SCARA robots. The holder also grasps the dispense tip to increase precision, but it does not set the dispense tip's height. It is designed so that the dispense tip is 60 mm from the mounting surface to offer the full range of motion of the robot without causing collisions with the robot on the back side of the kidney shaped dispense pattern. It is a complete kit and no other items are required. **This is sized for 25 gauge needles and must be modified by the user for larger gauge sizes.**

### Includes:

Qty	Description
1	97113 and 97114 valve holder for SCARA robots
2	M5 x 12 mm socket head cap screws

### Instructions for Use:

1. Attach the valve holder to the robot using the two cap head screws.

### Parts and Accessories:

Please see the other side for required parts that must be ordered separately and optional accessories.



Henkel Corporation  
1001 Trout Brook Crossing  
Rocky Hill, CT 06067  
USA

Phone 860.571.5174  
Fax 860.571.5131  
Equipment-customerservice@loctite.com

**Optional Accessories:**

**Integrated Dispense Controllers.** These are reservoirs integrated with digital dispense controllers. When connected to the dispense valve, they offer a complete dispensing solution.

Part No.	Description
97007	Integrated Semiautomatic Controller and Reservoir, 0-100 psi
97010	Integrated Semiautomatic Controller and Reservoir, 0-15 psi
97017	Integrated Semiautomatic Controller and Reservoir, 0-100 psi, with low level sensor
97020	Integrated Semiautomatic Controller and Reservoir, 0-15 psi, with low level sensor

**Solenoid Valve Module.** This is used to control the valve directly using the I/O from the robot. If this unit is purchased, any pressure reservoir can be used to supply adhesive to the valve.

Part No.	Description
988000	Solenoid valve module.