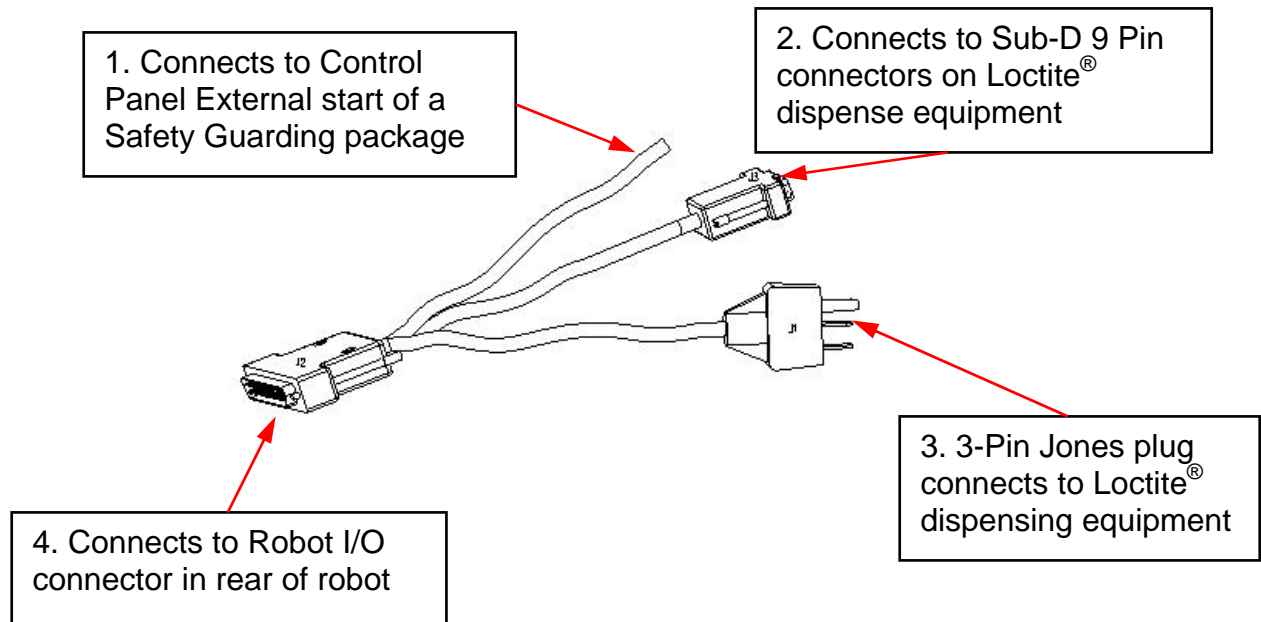


Part No. 98395: Interface Cable, Benchtop Robot - Dispenser



Description:

This 10 foot cable has been specifically designed to integrate the Loctite® 200, 300, 400 and 500 Series Benchtop Robots with specific Loctite® dispensing and curing equipment as well as a Loctite® light curtain or remote start. This cable allows the robot to turn the dispenser on and off directly from the robot or a remote location, but does not allow for any additional input or output.

Includes:

Qty	Description
1	Interface Cable, Benchtop Robot - Dispenser

Instructions for Integration with Dispensing or Curing Equipment:

1. Turn the robot and the dispensing/curing equipment off. **CAUTION: Cables cannot be connected or disconnected from the robot while the robot is on!!! If this occurs, the robot boards will be damaged and will need to be replaced.**
2. Insert the male 37 pin connector (Item 4. in the Figure1) into I/O-1 port on the back of the robot.

Works with but not limited to the following:

Item #	Description
883976	Digital Syringe Dispenser
97006	Precision Syringe Dispenser
98417	Analog Syringe Dispenser
97007	Integrated Semi-Automatic Controller
97017	Integrated Semi-Automatic Controller
97010	Integrated Semi-Automatic Controller
97020	Integrated Semi-Automatic Controller
98521	Spray Valve Controller
98548	Benchtop Peristaltic Dispenser
98317A	Zeta 7735 UV Wand System
98157A	Zeta 7740 UV Wand System
98046	Zeta 7750 UV Wand System
98450	Zeta 7760 UV Wand System
988000	Solenoid Valve Module
	All Loctite® Safety Guarding Packages for Benchtop Robots

3. Secure I/O-1 using the two screws on the male 37 pin connector.
4. Insert the male 9 pin connector (Item 2. in the Figure1), or male Jones connector (Item 3. in the Figure1), into the foot pedal port on dispensing/curing equipment. **NOTE: Only the 9 pin OR Jones connector can be used at one time. 9 pin and Jones connectors cannot be used simultaneously.**
5. Secure the foot pedal port using the two screws on the male 9 pin connector.
6. A separate adapter (Item # 1053227 which is supplied with 98395 Interface Cable) is also required to operate the Digital Syringe Dispenser (Item # 883976). Simply insert the 9 pin connector end into the adapter and plug into the mono plug jack on the dispenser.
7. For units with Low Level and Ready Indicators, an open contact on pin 14 will indicate Empty and an open contact on pin 15 will indicate Ready.

Instructions for Integration with a Loctite® Safety Guarding Packages for Benchtop Robots:

1. Strip the two wires in the cable label Item 1 (Figure 1) of the 98395 and the two wires in the cable labeled "R" in the Guarding Package.
2. Connect cable 1 and cable R. **CAUTION: Wires must be insulated once connected. Failure to insulate the wires can cause unintended cycle start.**
3. Set the robot to external mode.

Instructions for Integration with a remote start:

1. The two exposed wires (Item 1. in the Figure1) can be connected to any normally open dry contact.
2. Set the robot to external mode. Once the robot is set in external mode, closing the dry contact will initiate the robot cycle.

Limitations:

This interface cable is designed for connecting a Loctite® 200, 300, 400 or 500 Series Benchtop Robot to the equipment listed above only. **Any other use of this cable is not recommended and can result in damage to the robot.**

This cable cannot accommodate any other input or output other than initiating one dispenser or curing unit and the remote start. If additional I/O is required, please purchase Loctite® Part Number 98549, Interface Cable with Junction Box for Loctite® Benchtop Robots.