

LOCTITE

1001 Trout Brook Crossing
Rocky Hill, CT 06067-3910
Telephone: (860) 571-5100
FAX: (860) 571-5465

Product Description Sheet Dial-A-Seal Dispensing System

Part # 998400

North American Equipment, March 1999

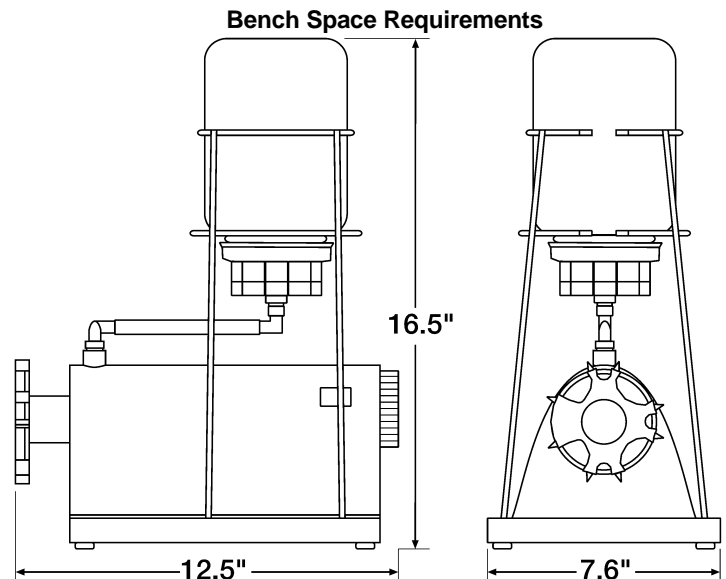
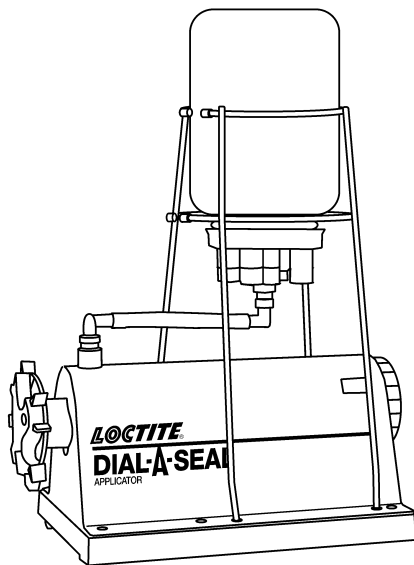
PRODUCT DESCRIPTION

LOCTITE® Dial-A-Seal dispensing system is a touch actuated, all pneumatic applicator for dispensing high viscosity Loctite products onto threaded pipe fittings and nipples.

A turret head with a cavity for each size of pipe thread is attached to the output of an air actuated positive displacement pump. To dispense, the operator presses a fitting down into the correct cavity. The downward motion of the turret depresses a switch that actuates the piston pump causing a metered amount of product to be dispensed. When the fitting is removed, the pump will reset, ready for another cycle.

PRODUCT FEATURES

- A quick turn turret equipped with cavities for 1/16", 1/8", 1/4", 3/8", 1/2", 3/4" and 1" male pipe threads
- The Dial-A-Seal is fed directly from a 50 ml tube, 250 ml tube or a one liter bottle
- Up to 0.7 ml of product can be dispensed
- Rear located product adjustment knob
- Suggested settings for each diameter fitting is given in a table on the outside casing of the unit



Technical Data

Utilities: System requires filtered (40 micron) lubricated air, 60 psig minimum

Overall dimensions: 7.6" wide x 12.5" long. The overall height of the 50 ml tube version is 12". The one liter bottle version is 16.5"

Weight: 13 lbs.

Dial-A-Seal Dispensing System Includes:

- Empty 1 liter bottle
- Stand for holding 1 liter bottle, P/N 998431
- Necessary parts for adapting 1 liter bottle
- Operation manual

Recommended Spare Parts:

- Spare parts kit, P/N 998402
- Turret, P/N 998425
- Cap - 1 liter bottle, P/N 998426
- Tube adapter, P/N 983095

NOT FOR PRODUCT SPECIFICATIONS
PLEASE CONTACT LOCTITE CORPORATION FOR ASSISTANCE: 1-800-LOCTITE (1-800-562-8483)

The data contained herein are furnished for information only and are believed to be reliable. We cannot assume responsibility for the results obtained by others over whose methods we have no control. It is the user's responsibility to determine suitability for the user's purpose of any production methods mentioned herein and to adopt such precautions as may be advisable for the protection of property and of persons against any hazards that may be involved in the handling and use thereof. In light of the foregoing, LOCTITE CORPORATION SPECIFICALLY DISCLAIMS ALL WARRANTIES EXPRESSED OR IMPLIED, INCLUDING WARRANTIES OF MERCHANTABILITY OR FITNESS FOR A PARTICULAR PURPOSE, ARISING FROM SALE OR USE OF LOCTITE CORPORATION'S PRODUCTS. LOCTITE CORPORATION SPECIFICALLY DISCLAIMS ANY LIABILITY FOR CONSEQUENTIAL OR INCIDENTAL DAMAGES OF ANY KIND, INCLUDING LOST PROFITS. The discussion herein of various processes or compositions is not to be interpreted as representation that they are free from domination of patents owned by others or as a license under any Loctite Corporation patents that may cover such processes or compositions. We recommend that each prospective user test his proposed application before repetitive use, using this data as a guide. This product may be covered by one or more United States or foreign patents or patent applications.

Loctite is a trademark of Loctite Corp. U.S.A.