



Product Description Sheet
EQ HM24 050 Dispenser
Item No. 2557727

PRODUCT DESCRIPTION

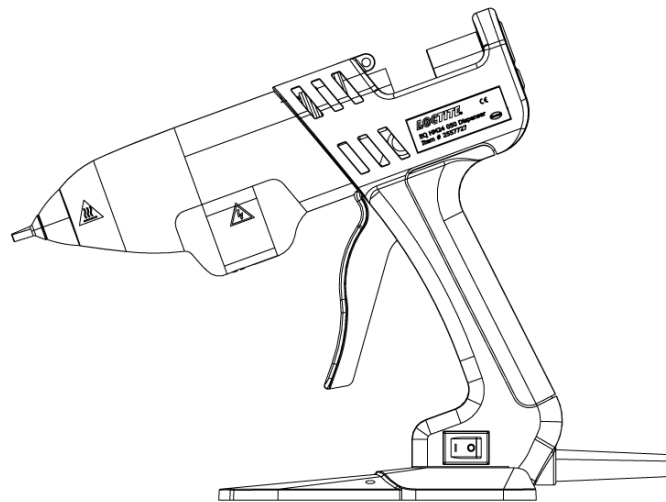
The new Loctite® EQ HM24 050 Dispenser contains a new state-of-the-art heating system for accurate temperature control and excellent reliability. This Hot Melt Dispenser operates on a 120 VAC, 50/60 Hz. 2-3 amp circuit. It can be used within 4 to 5 minutes after being plugged in. The Operator adjustable thermostatic heater control setting allows the dispenser to be used with Loctite® ½ inch EVA, Polyolefin or Polyamide Hot Melt Supersticks™ in any industrial production environment.

PRODUCT FEATURES

- Power consumption: approx. 250 watts.
- Designed for operator comfort and application control.
- Operator adjustable thermostatic heater control.
- Melt rate of up to 2.5 kg./hr. (5.5 lbs./hour).
- RED “ON” indicator light.
- Adhesive: ½” EVA, Polyolefin and Polyamide Hot Melt Supersticks™
- CE Rated; RoHS compliant

Technical Data

- Weight: 500 g. (1.1 lbs.)
- Dimensions: 9 3/4” L x 8 1/2” H x 3 1/4”W
- Electrical cord length: 3M or 10ft
- Power requirements:
 - 120 VAC; 50/60 Hz; 2-3 Amps
 - Adjustable temperature control 266°F - 428°F (130°C - 220°C)



Hot Melt Stick Dispenser includes:

- EQ HM24 050 Dispenser
- Instruction Manual
- Integral stand incorporating nozzle spanner.
- Standard 1-hole nozzle/check-valve; 0.090 “ Dia. – P/N 1611450

Document # 9002294, Rev A, Date: 06/27/2019



Henkel Americas
1-800-LOCTITE
www.equipment.loctite.com
www.henkel.com/industrial

Henkel Europe
+49.89.320800.1800
www.henkel.com/industrial

Henkel Asia Pacific
+86.21.2891.8863